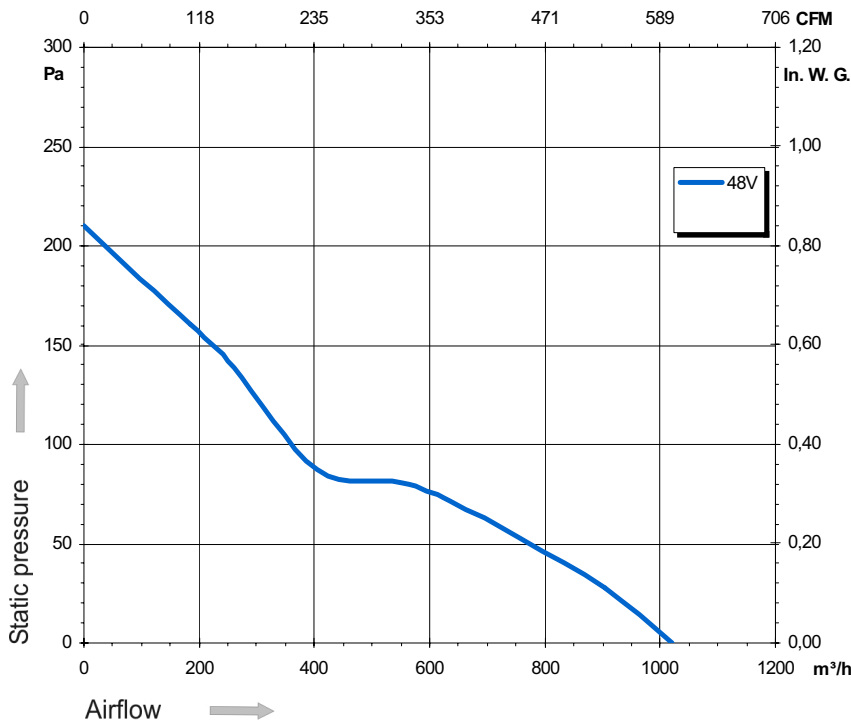
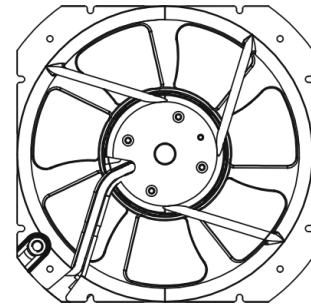
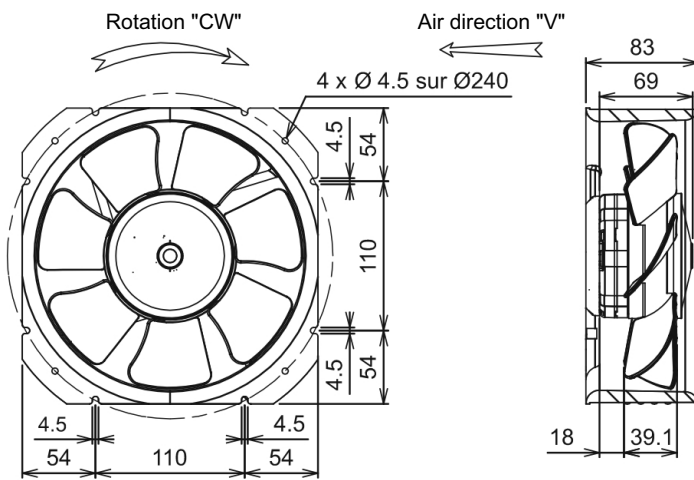


Ind. a - Revision : 05-2004

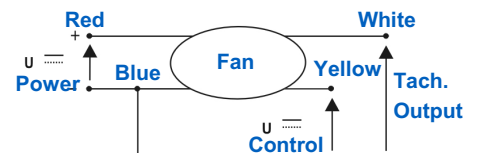
## VGC24 200V P/N C49-A5



| Voltage | Frequency | Input power | Current | Capacitor | Airflow           | Speed rotation | Noise level | Rotation direction | Operating temperature |
|---------|-----------|-------------|---------|-----------|-------------------|----------------|-------------|--------------------|-----------------------|
| V       | Hz        | Wa          | A       | µF        | m <sup>3</sup> /h | RPM            | dBA         | ↻                  | Min / Max             |
| 24      | -         | 59          | 2,44    | -         | 1 020             | 2 800          | 67          | R                  | -20°C / +70°C         |



- Nominal voltage 24VDC (18-36VDC)
- Reverse polarity protection
- Soft start
- Locked rotor protection
- Tachometer output (open collector)
- Controlled by 0-10VDC or PWM signal
- IP44 protection
- Aluminium ring
- G6.3 balancing
- Plastic impeller
- Connexion block fixed on ring



Non contractual document. All specifications are subject to change without prior notice. Picture for information only.