



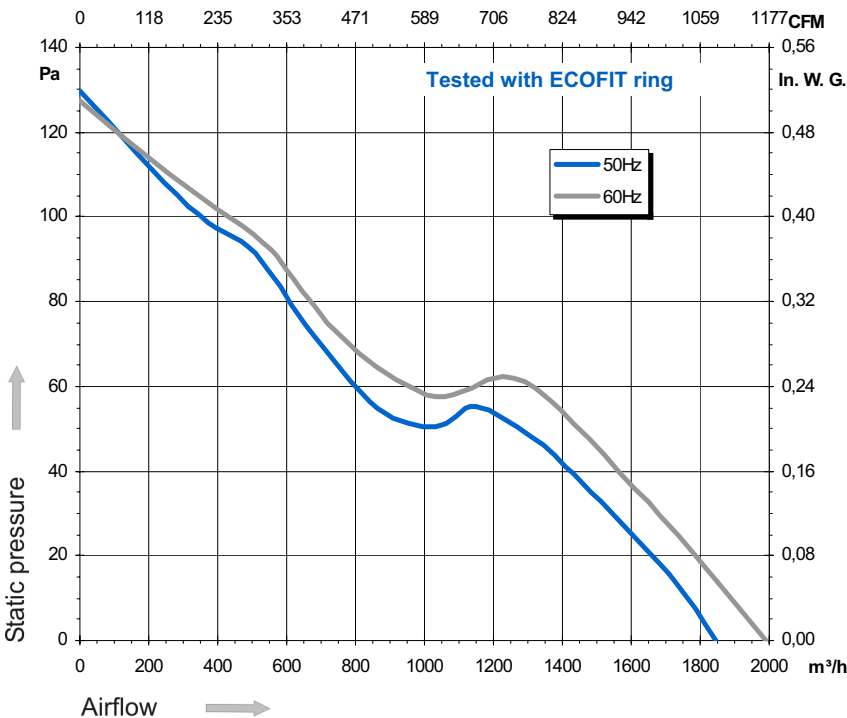
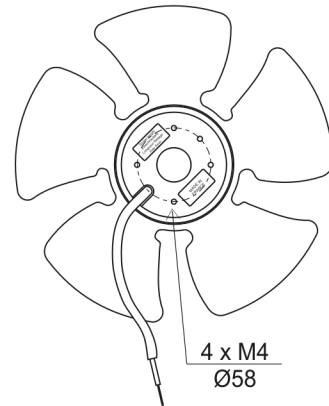
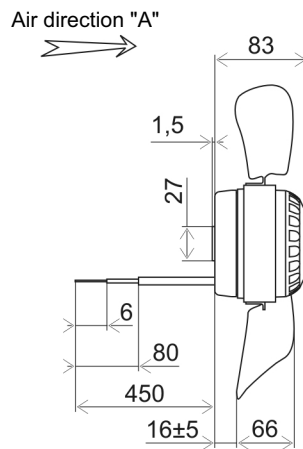
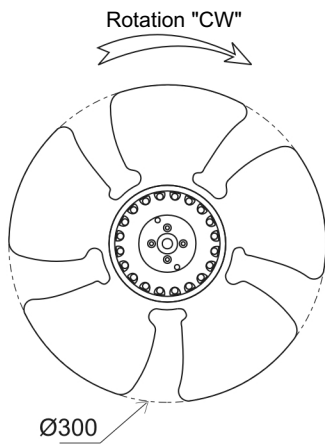
Ind. c - Revision : 07-2003

4VREt35 300A

P/N R10-36



Voltage	Frequency	Input power	Current	Capacitor	Airflow	Speed rotation	Noise level	Rotation direction	Operating temperature
V	Hz	Wa	A	µF	m³/h	RPM	dBA	↻	Min / Max
400	50	99	0,21	-	1 845	1 320	62	R	-20°C / +60°C
400	60	101	0,20	-	1 990	1 450	64	R	-20°C / +70°C

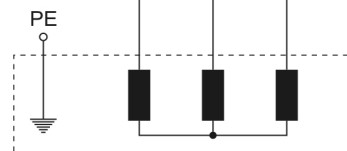


- Ball bearing
- Class F winding
- IP44 protection
- G6.3 balancing
- Zinc coated impeller
- Rotor and impeller : black paint

Capacitor for 50Hz Capacitor for 60Hz Connecting box Connector

39658 09145-0

Green/Yellow Blue Black Brown



Non contractual document. All specifications are subject to change without prior notice. Picture for information only.