

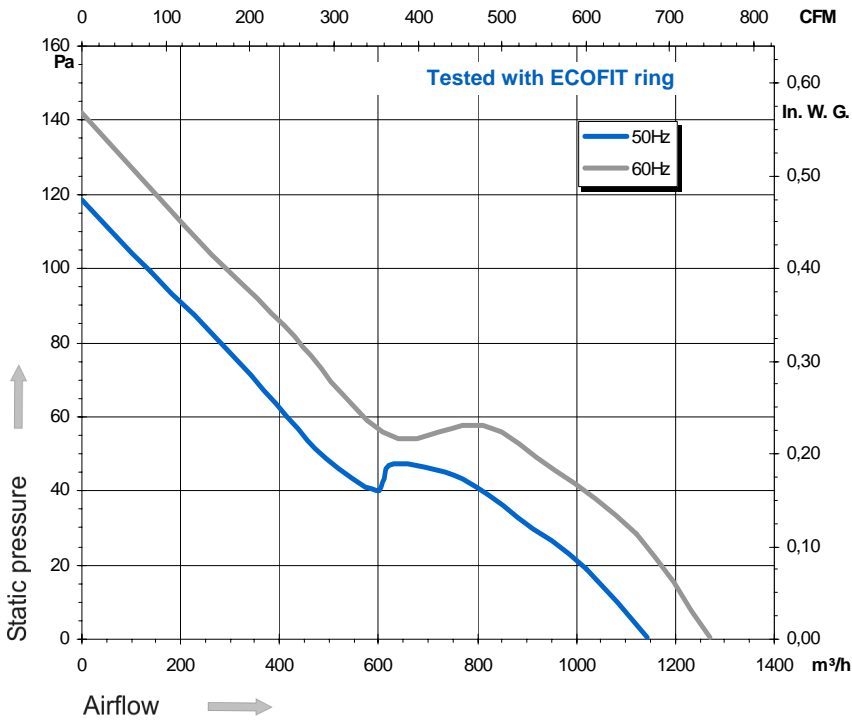
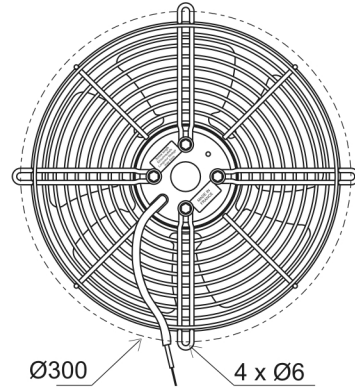
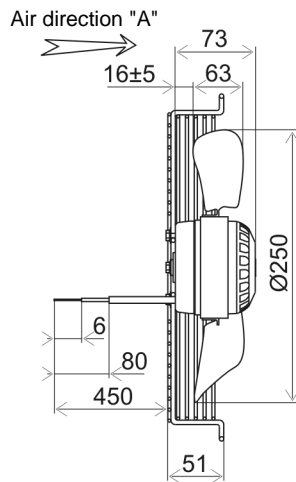
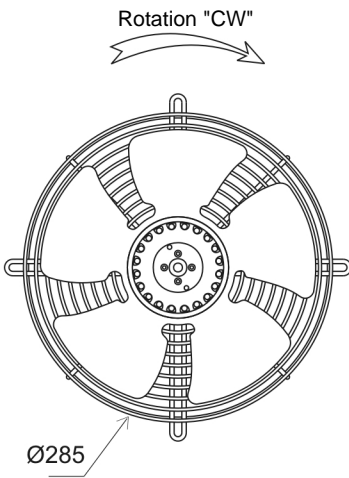
Ind. c - Revision : 10-2003

## 4VPRt25 250A

## P/N R12-26



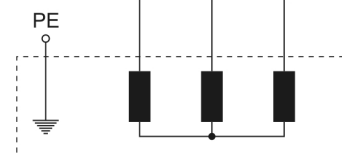
Voltage	Frequency	Input power	Current	Capacitor	Airflow	Speed rotation	Noise level	Rotation direction	Operating temperature
V	Hz	Wa	A	µF	m³/h	RPM	dBA	↻	Min / Max
400	50	69	0,18	-	1.145	1.390	55	R	-20°C / +70°C
400	60	66	0,16	-	1.270	1.590	58	R	-20°C / +70°C



- Ball bearing
- Class F winding
- IP44 protection
- G6.3 balancing
- Zinc coated impeller
- Rotor and impeller : black paint
- Basket finger guard : black paint

Capacitor for 50Hz: -  
 Capacitor for 60Hz: -  
 Connecting box: 39658  
 Connector: 09145-0

Green/Yellow Blue Black Brown



Non contractual document. All specifications are subject to change without prior notice. Picture for information only.