



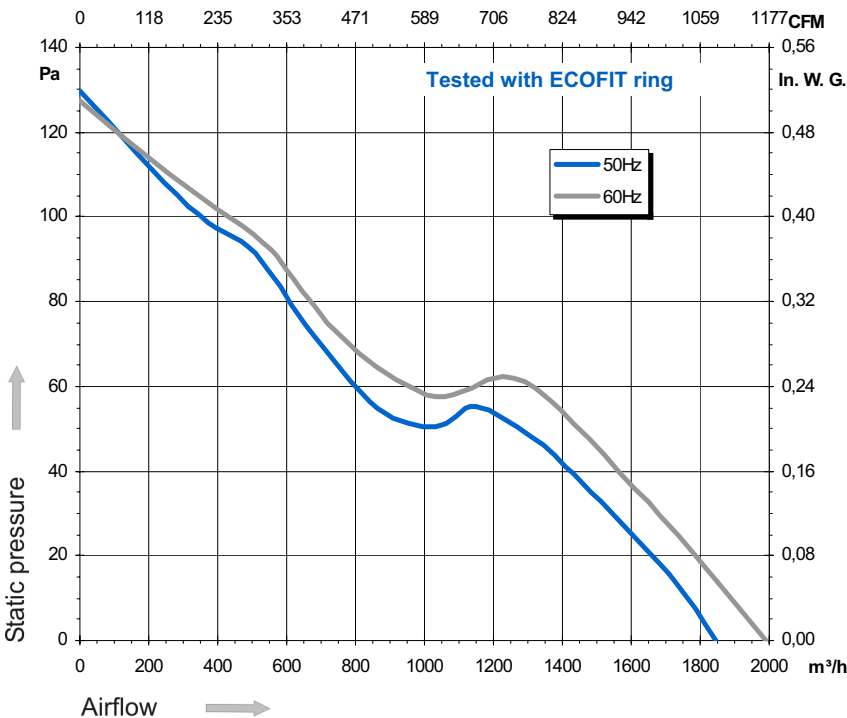
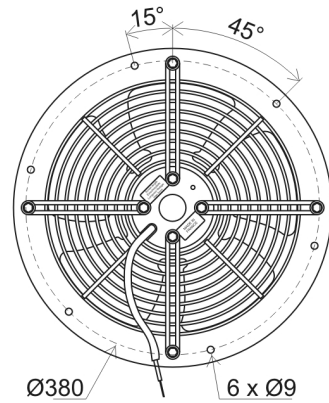
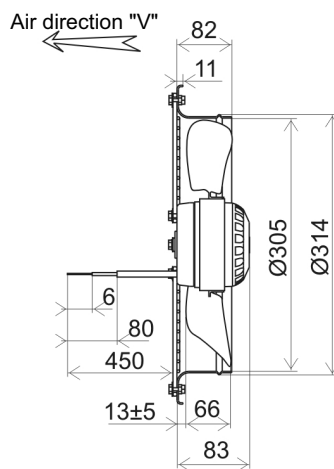
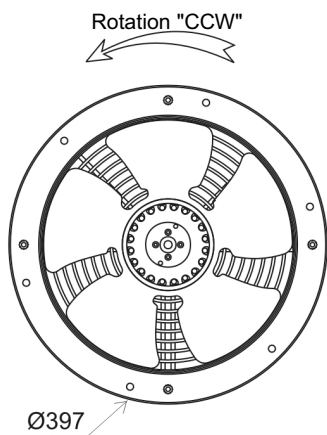
Ind. c - Revision : 10-2003

## 4VGVt35 300V

## P/N R12-45



| Voltage | Frequency | Input power | Current | Capacitor | Airflow | Speed rotation | Noise level | Rotation direction | Operating temperature |
|---------|-----------|-------------|---------|-----------|---------|----------------|-------------|--------------------|-----------------------|
| V       | Hz        | Wa          | A       | µF        | m³/h    | RPM            | dBA         | ↻                  | Min / Max             |
| 400     | 50        | 99          | 0,21    | -         | 1 845   | 1 320          | 62          | L                  | -20°C / +60°C         |
| 400     | 60        | 101         | 0,20    | -         | 1 990   | 1 450          | 64          | L                  | -20°C / +70°C         |

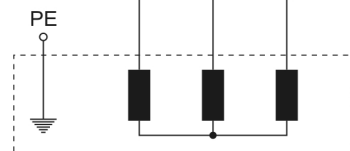


- Ball bearing
- Class F winding
- IP44 protection
- G6.3 balancing
- Zinc coated impeller
- Rotor and impeller : black paint
- Finger guard and ring : black paint

Capacitor for 50Hz    Capacitor for 60Hz    Connecting box    Connector

39658    09145-0

Green/Yellow Blue    Black Brown



Non contractual document. All specifications are subject to change without prior notice. Picture for information only.