



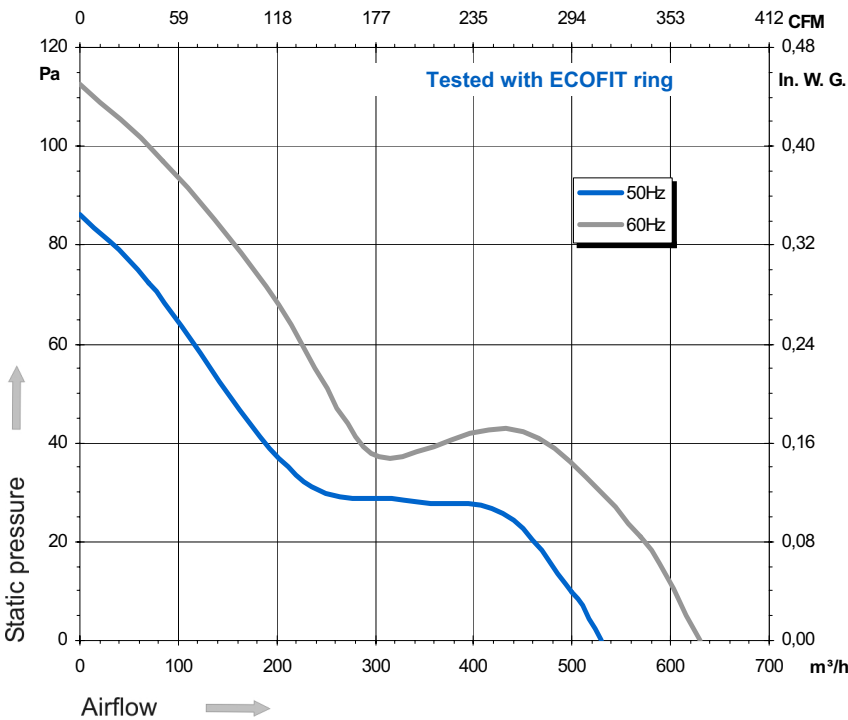
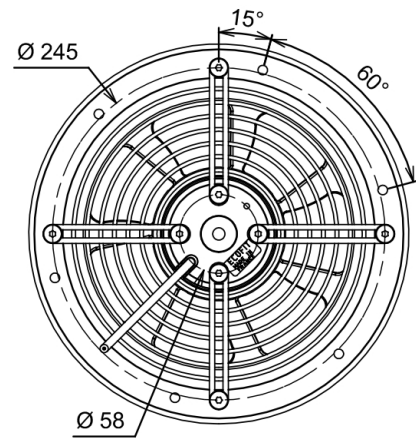
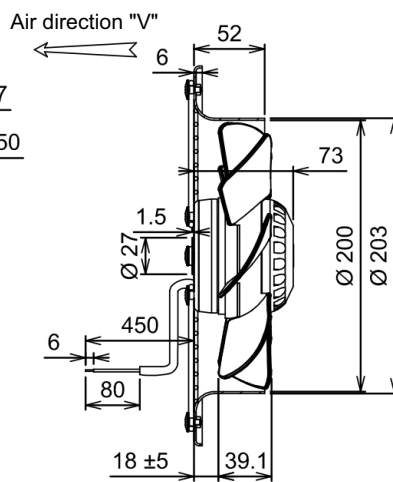
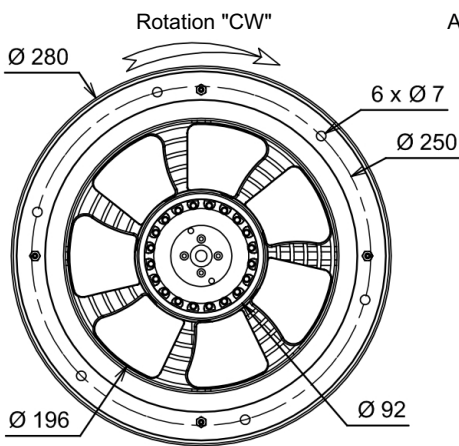
Ind. c - Revision : 10-2003

## 4VGVt25 200V

## P/N R12-41



Voltage	Frequency	Input power	Current	Capacitor	Airflow	Speed rotation	Noise level	Rotation direction	Operating temperature
V	Hz	Wa	A	µF	m³/h	RPM	dBA	↻	Min / Max
400	50	45	0,16	-	530	1 475	50	R	-20°C / +60°C
400	60	39	0,13	-	630	1 735	53	R	-20°C / +70°C

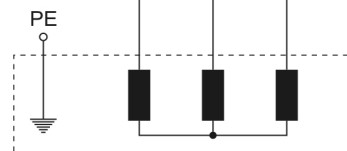


- Ball bearing
- Class F winding
- IP44 protection
- G6.3 balancing
- Plastic impeller
- Rotor : black paint
- Finger guard and ring : black paint

Capacitor for 50Hz    Capacitor for 60Hz    Connecting box    Connector

-    -    39658    09145-0

Green/Yellow Blue    Black Brown



Non contractual document. All specifications are subject to change without prior notice. Picture for information only.