



Ind. 0 - Revision : 07-2003

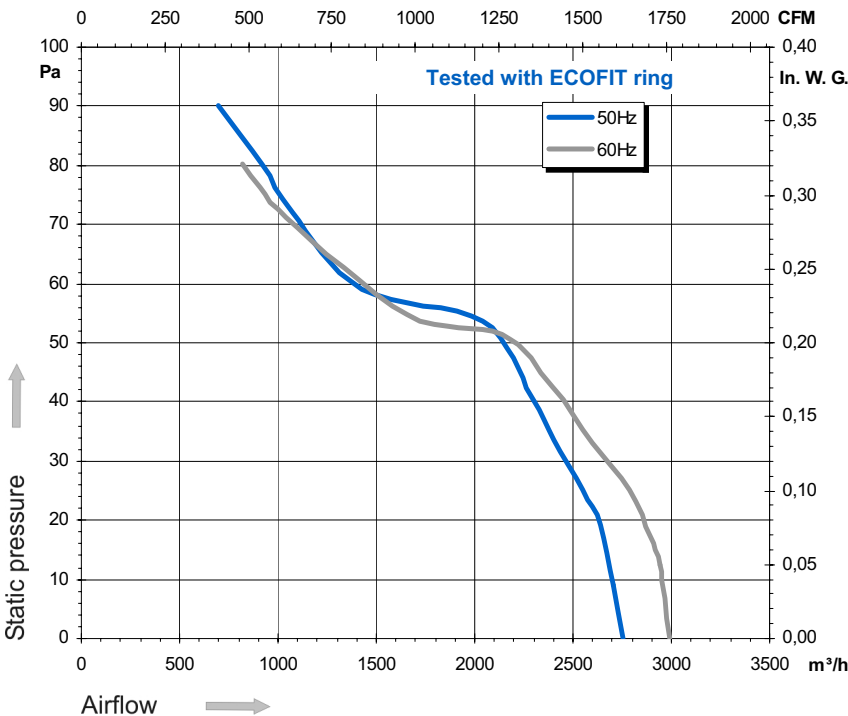
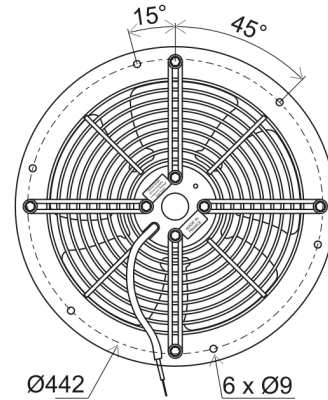
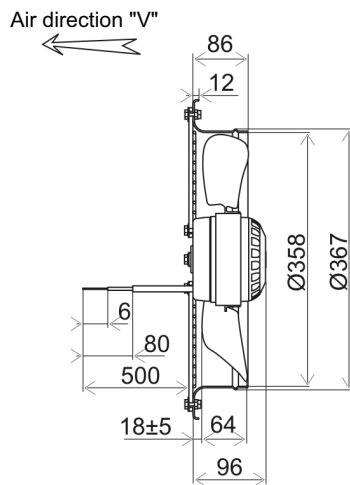
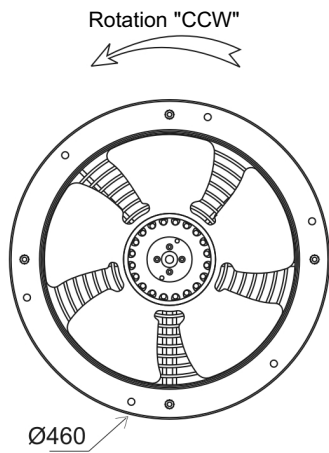
## 4VGV45 350V

## P/N B22-I4

Substitute for P04-39

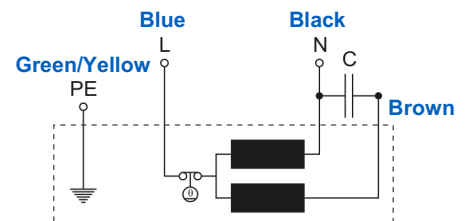


| Voltage | Frequency | Input power | Current | Capacitor | Airflow | Speed rotation | Noise level | Rotation direction | Operating temperature |
|---------|-----------|-------------|---------|-----------|---------|----------------|-------------|--------------------|-----------------------|
| V       | Hz        | Wa          | A       | µF        | m³/h    | RPM            | dBA         | ↻                  | Min / Max             |
| 230     | 50        | 132         | 0,58    | 4,0       | 2 750   | 1 275          | 64          | L                  | -20°C / +50°C         |
| 230     | 60        | 156         | 0,68    | 3,5       | 2 990   | 1 380          | 66          | L                  | -20°C / +60°C         |



- Ball bearing
- Class F, thermally protected
- IP44 protection
- G6.3 balancing
- Zinc coated impeller
- Rotor and impeller : black paint
- Finger guard and ring : black paint

| Capacitor for 50Hz | Capacitor for 60Hz | Connecting box | Connector |
|--------------------|--------------------|----------------|-----------|
| 19019-0            | 19049-0            | 39658          | 09145-0   |



Non contractual document. All specifications are subject to change without prior notice. Picture for information only.