

Ind. 0 - Revision : 07-2003

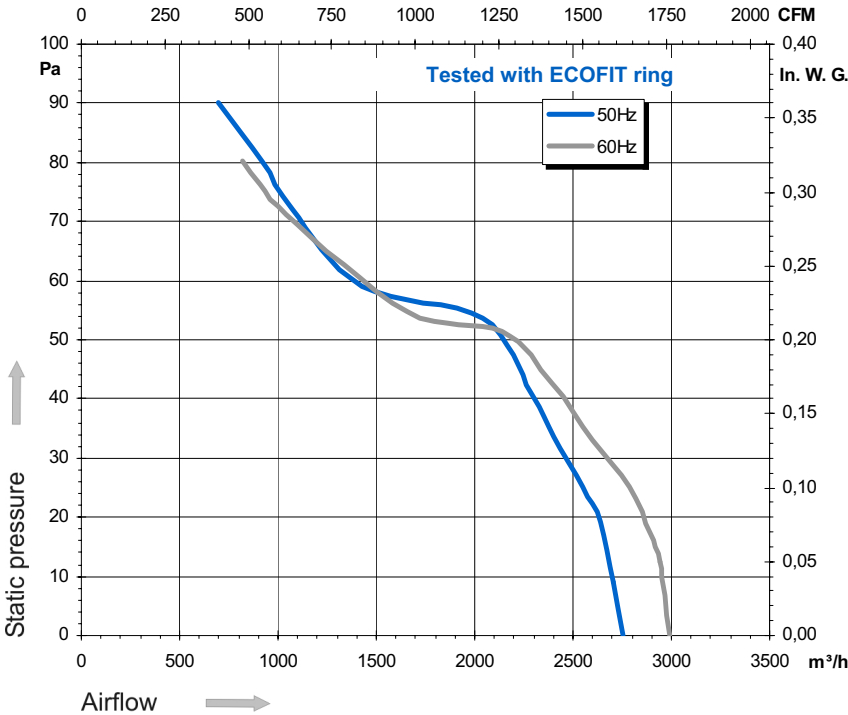
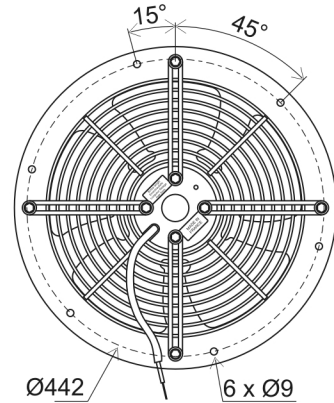
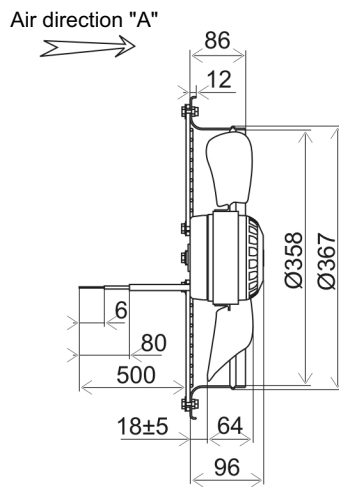
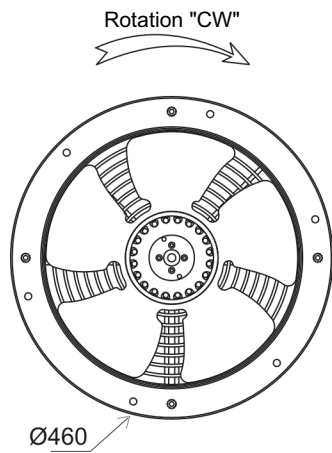
## 4VGV45 350A

## P/N B22-10

Substitute for P04-38

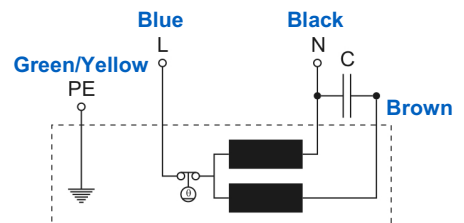


Voltage	Frequency	Input power	Current	Capacitor	Airflow	Speed rotation	Noise level	Rotation direction	Operating temperature
V	Hz	Wa	A	µF	m³/h	RPM	dBA	↻	Min / Max
230	50	132	0,58	4,0	2 750	1 275	64	R	-20°C / +50°C
230	60	156	0,68	3,5	2 990	1 380	66	R	-20°C / +60°C



- Ball bearing
- Class F, thermally protected
- IP44 protection
- G6.3 balancing
- Zinc coated impeller
- Rotor and impeller : black paint
- Finger guard and ring : black paint

Capacitor for 50Hz	Capacitor for 60Hz	Connecting box	Connector
19019-0	19049-0	39658	09145-0



Non contractual document. All specifications are subject to change without prior notice. Picture for information only.