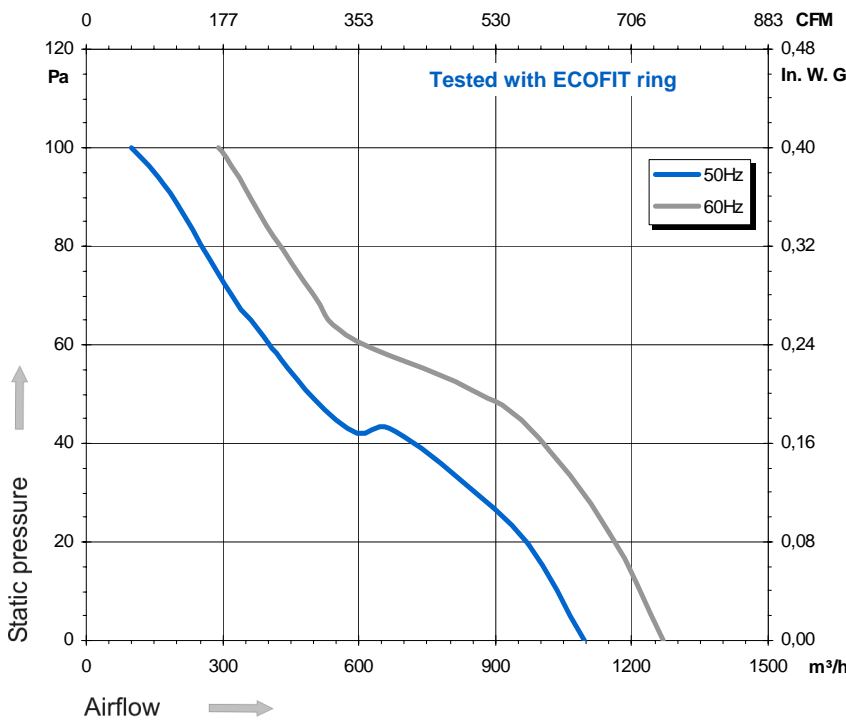
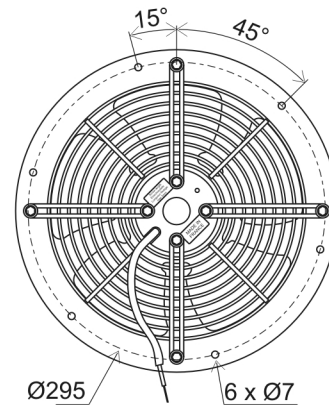
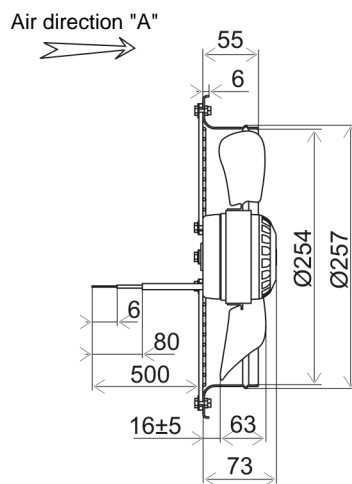
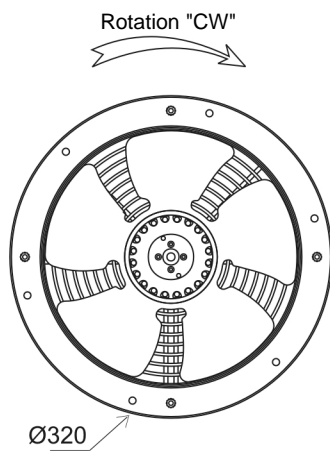


Ind. a - Revision : 08-2004

4VGV25 250A P/N B22-G4

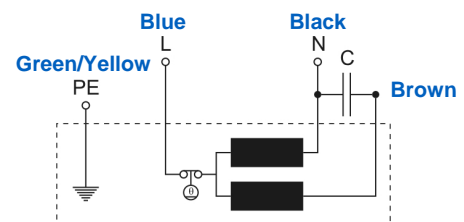
Substitute for P04-22

| Voltage | Frequency | Input power | Current | Capacitor | Airflow | Speed rotation | Noise level | Rotation direction | Operating temperature |
|---------|-----------|-------------|---------|-----------|---------|----------------|-------------|--------------------|-----------------------|
| V | Hz | Wa | A | µF | m³/h | RPM | dBA | ↻ | Min / Max |
| 230 | 50 | 59 | 0,26 | 2,0 | 1 095 | 1 390 | 55 | R | -20°C / +60°C |
| 230 | 60 | 74 | 0,33 | 2,0 | 1 270 | 1 610 | 58 | R | -20°C / +70°C |



- Ball bearing
- Class F, thermally protected
- IP44 protection
- G6.3 balancing
- Zinc coated impeller
- Rotor and impeller : black paint
- Finger guard and ring : black paint

| Capacitor for 50Hz | Capacitor for 60Hz | Connecting box | Connector |
|--------------------|--------------------|----------------|-----------|
| 19008-0 | 19008-0 | 39658 | 09145-0 |



Non contractual document. All specifications are subject to change without prior notice. Picture for information only.