



Ind. a - Revision : 07-2003

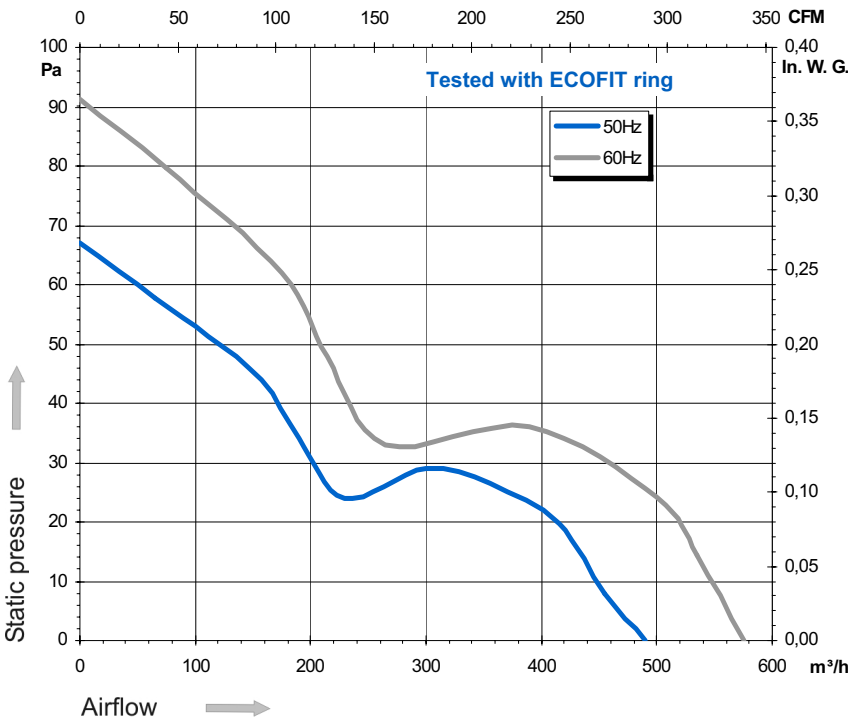
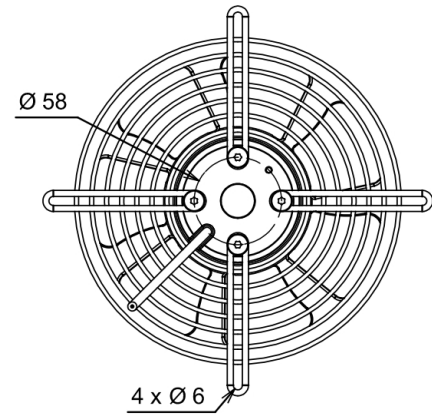
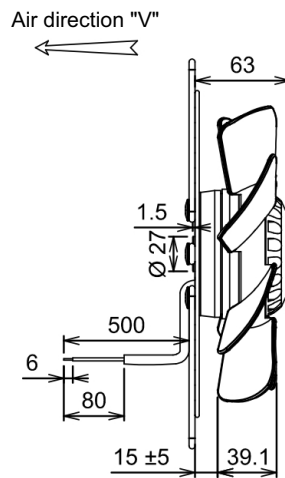
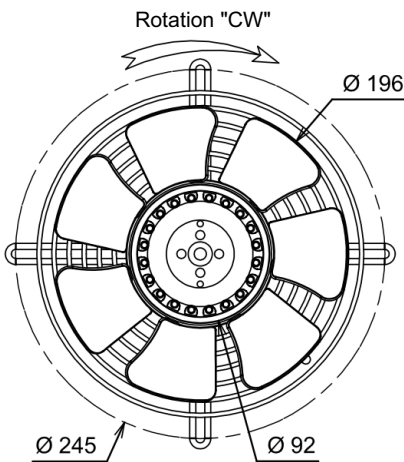
4VGR15 200V

P/N B22-F8

Substitute for P04-13

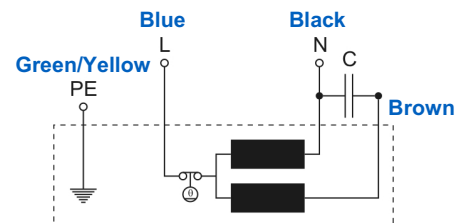


Voltage	Frequency	Input power	Current	Capacitor	Airflow	Speed rotation	Noise level	Rotation direction	Operating temperature
V	Hz	Wa	A	µF	m³/h	RPM	dBA	↻	Min / Max
230	50	31	0,14	1,5	490	1 380	50	R	-20°C / +70°C
230	60	32	0,14	1,5	575	1 630	53	R	-20°C / +70°C



- Ball bearing
- Class F, thermally protected
- IP44 protection
- G6.3 balancing
- Plastic impeller
- Rotor : black paint
- Finger guard : black paint

Capacitor for 50Hz	Capacitor for 60Hz	Connecting box	Connector
19005-0	19005-0	39658	09145-0



Non contractual document. All specifications are subject to change without prior notice. Picture for information only.