

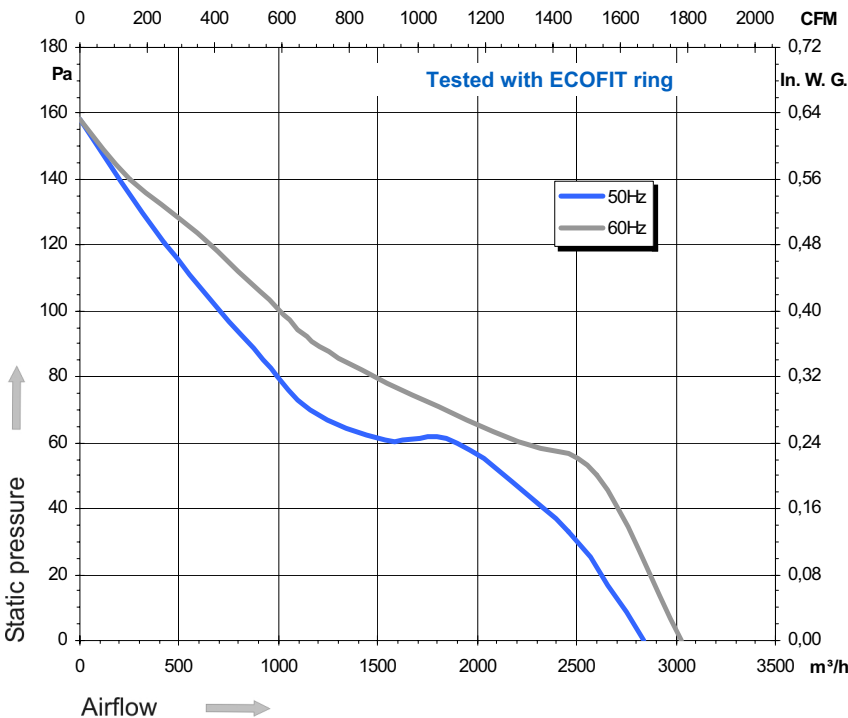
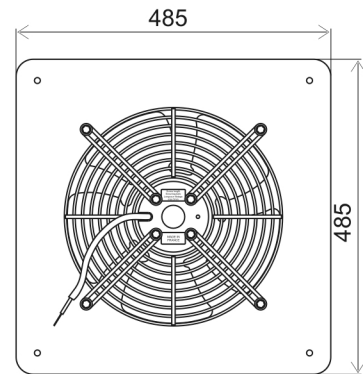
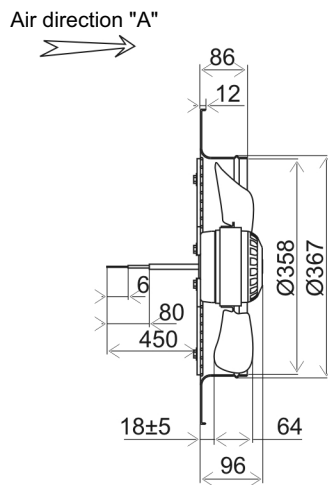
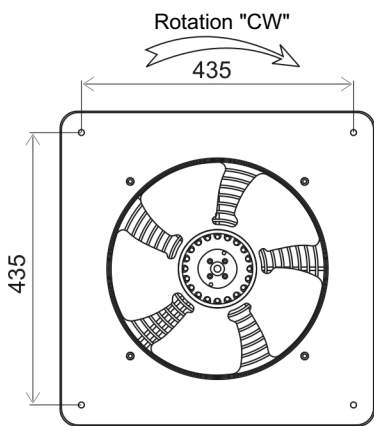
Ind. a - Revision : 10-2003

## 4VGct45 350A

## P/N R12-62



Voltage	Frequency	Input power	Current	Capacitor	Airflow	Speed rotation	Noise level	Rotation direction	Operating temperature
V	Hz	Wa	A	μF	m³/h	RPM	dBA	↻	Min / Max
400	50	120	0,33	-	2 835	1 330	65	R	-20°C / +50°C
400	60	147	0,31	-	3 010	1 445	67	R	-20°C / +50°C

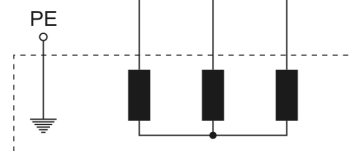


- Ball bearing
- Class F winding
- IP44 protection
- G6.3 balancing
- Zinc coated impeller
- Rotor and impeller : black paint
- Finger guard and ring : black paint

Capacitor for 50Hz    Capacitor for 60Hz    Connecting box    Connector

-    -    39658    09145-0

Green/Yellow Blue    Black Brown



Non contractual document. All specifications are subject to change without prior notice. Picture for information only.