



Ind. 0 - Revision : 09-2003

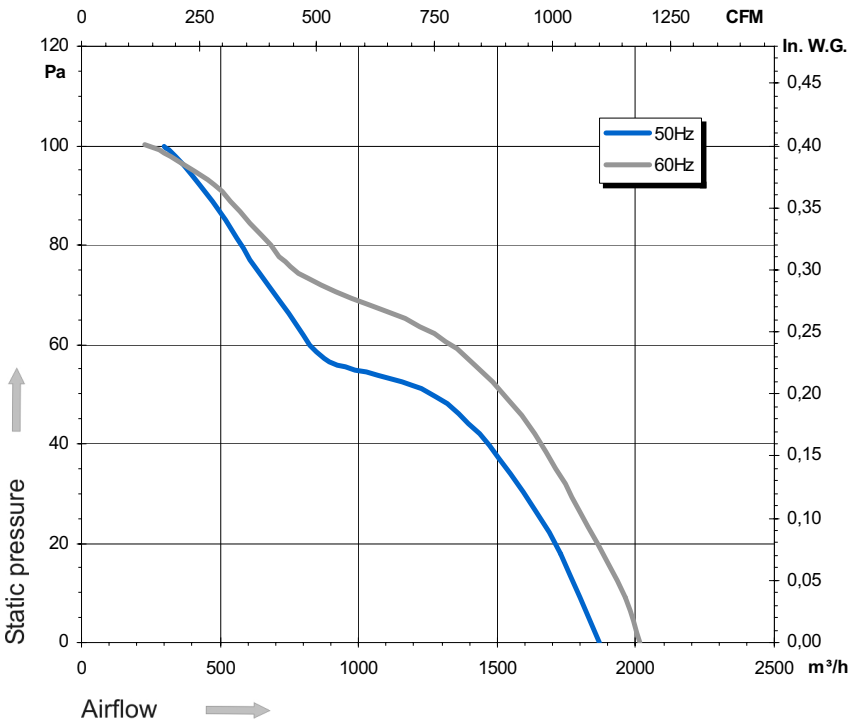
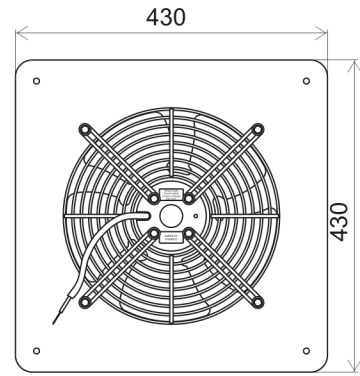
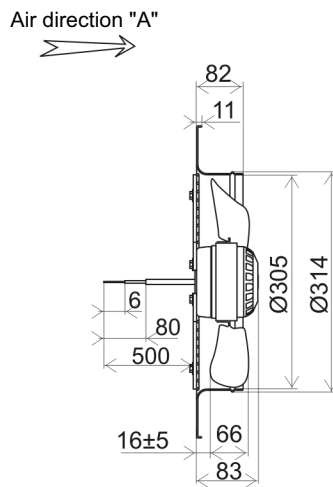
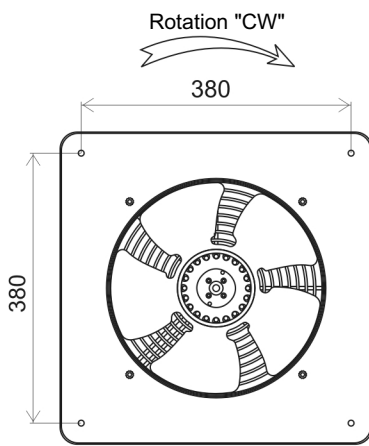
4VGC35 300A

P/N B22-H3

Substitute for P04-32

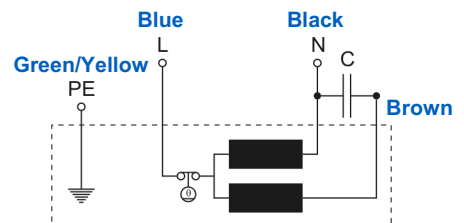


Voltage	Frequency	Input power	Current	Capacitor	Airflow	Speed rotation	Noise level	Rotation direction	Operating temperature
V	Hz	Wa	A	µF	m³/h	RPM	dBA	↻	Min / Max
230	50	88	0,41	3,0	1 870	1 320	61	R	-20°C / +60°C
230	60	97	0,45	2,5	2 015	1 475	63	R	-20°C / +70°C



- Ball bearing
- Class F, thermally protected
- IP44 protection
- G6.3 balancing
- Zinc coated impeller
- Rotor and impeller : black paint
- Finger guard and ring : black paint

Capacitor for 50Hz	Capacitor for 60Hz	Connecting box	Connector
19012-0	19011-0	39658	09145-0



Non contractual document. All specifications are subject to change without prior notice. Picture for information only.