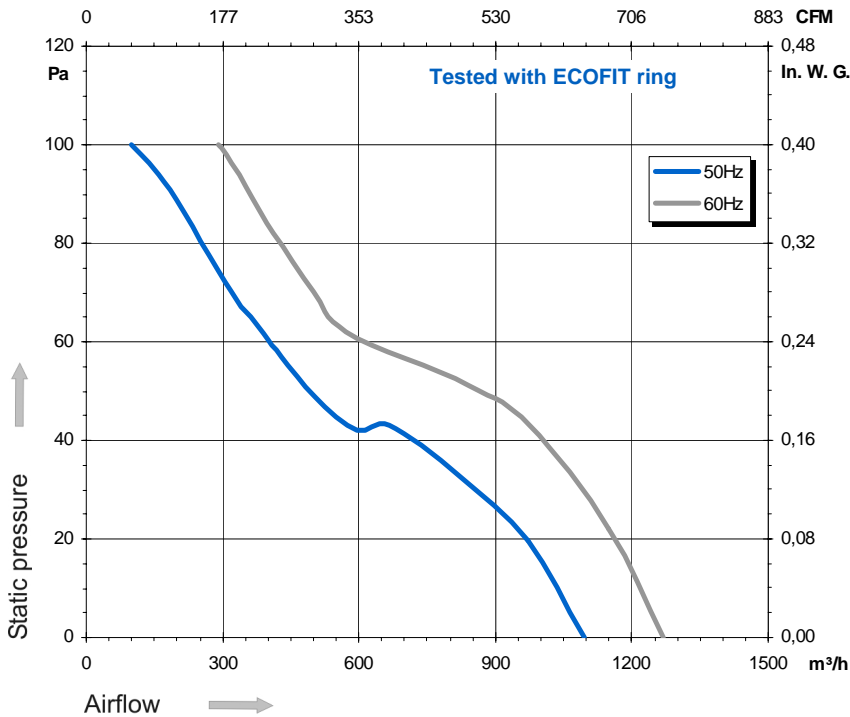
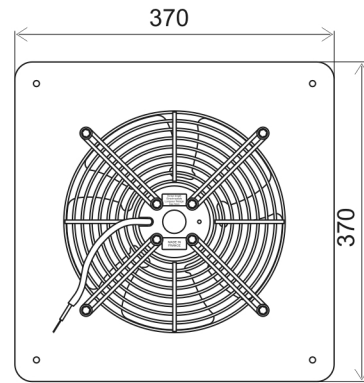
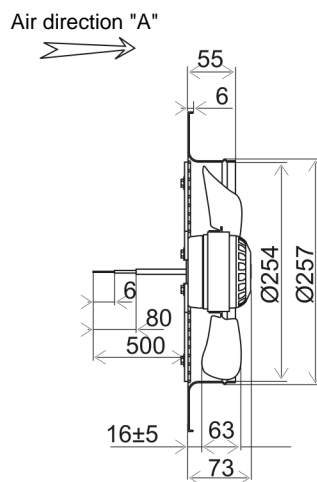
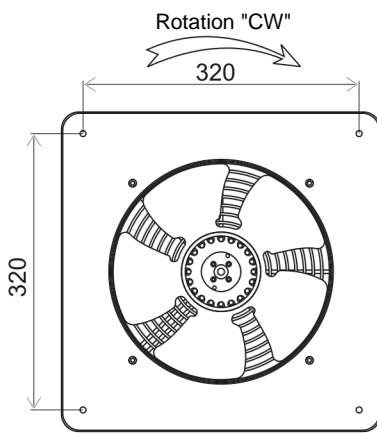


Ind. a - Revision : 08-2004

4VGC25 250A P/N B22-G5

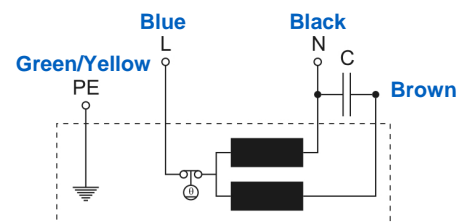
Substitute for P04-24

Voltage	Frequency	Input power	Current	Capacitor	Airflow	Speed rotation	Noise level	Rotation direction	Operating temperature
V	Hz	Wa	A	µF	m³/h	RPM	dB(A)	↻	Min / Max
230	50	59	0,26	2,0	1 095	1 390	55	R	-20°C / +60°C
230	60	74	0,33	2,0	1 270	1 610	58	R	-20°C / +70°C



- Ball bearing
- Class F, thermally protected
- IP44 protection
- G6.3 balancing
- Zinc coated impeller
- Rotor and impeller : black paint
- Finger guard and ring : black paint

Capacitor for 50Hz	Capacitor for 60Hz	Connecting box	Connector
19008-0	19008-0	39658	09145-0



Non contractual document. All specifications are subject to change without prior notice. Picture for information only.