

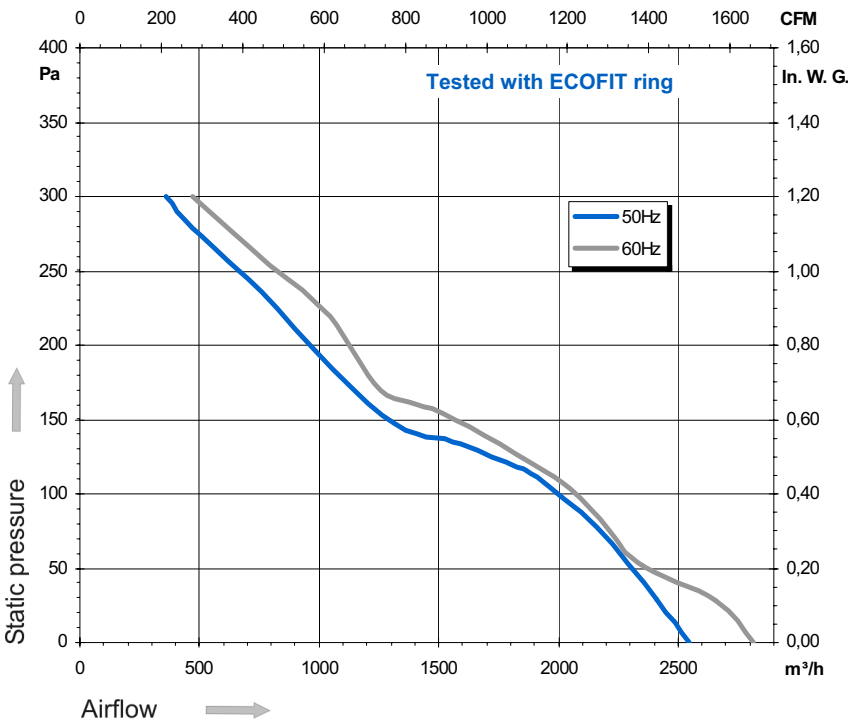
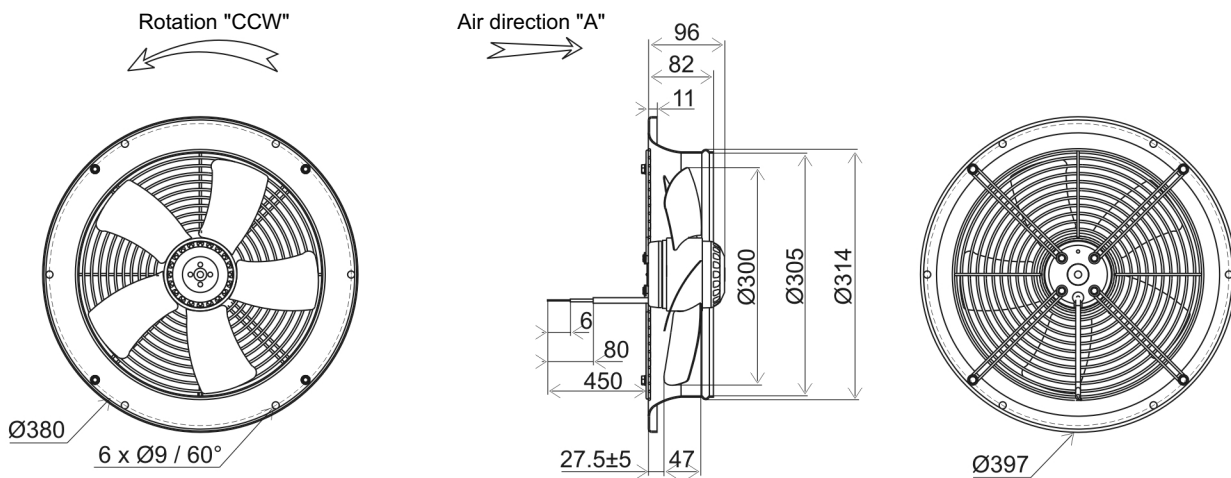
Ind. d - Revision : 10-2003

2VGVt45 300A

P/N R12-38



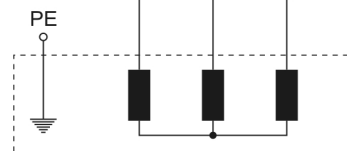
Voltage	Frequency	Input power	Current	Capacitor	Airflow	Speed rotation	Noise level	Rotation direction	Operating temperature
V	Hz	Wa	A	µF	m³/h	RPM	dBA	↻	Min / Max
400	50	168	0,33	-	2 550	2 640	73	L	-20°C / +70°C
400	60	213	0,37	-	2 815	2 925	75	L	-20°C / +70°C



- Ball bearing
- Class F winding
- IP44 protection
- G6.3 balancing
- Zinc coated impeller
- Rotor and impeller : black paint
- Finger guard and ring : black paint

Capacitor for 50Hz	Capacitor for 60Hz	Connecting box	Connector
-	-	39658	09145-0

Green/Yellow Blue Black Brown



Non contractual document. All specifications are subject to change without prior notice. Picture for information only.