

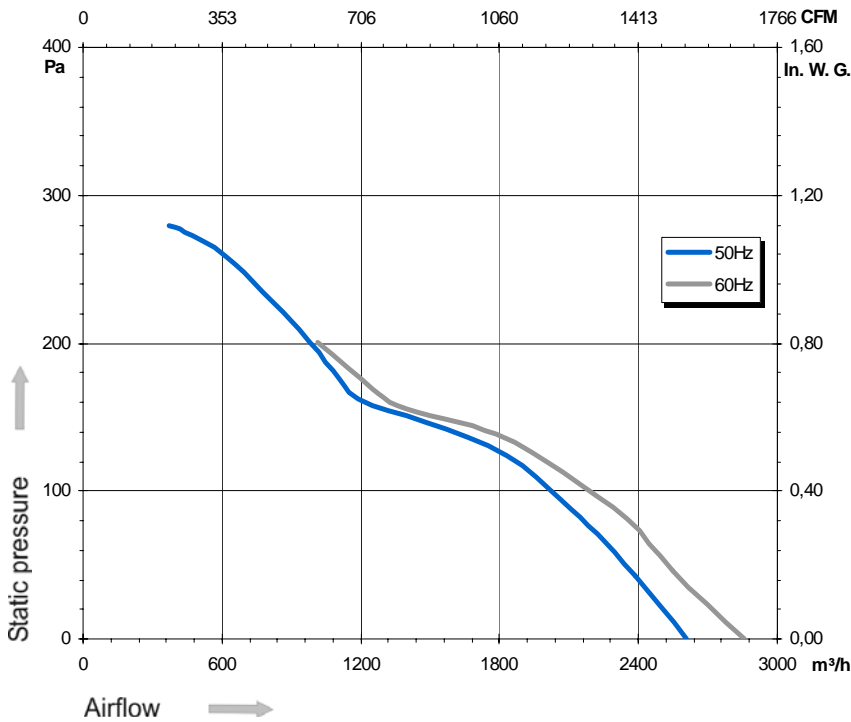
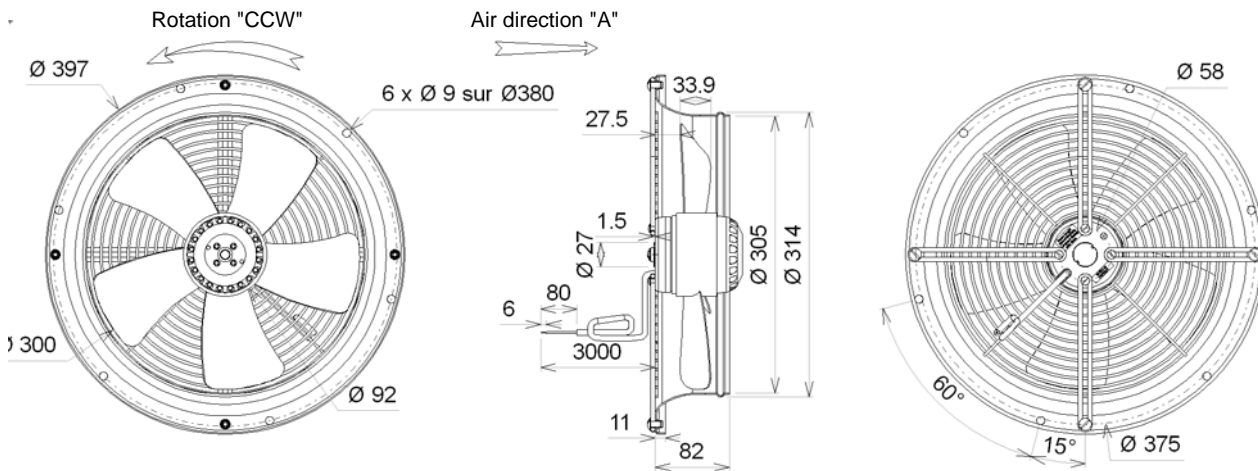


Ind. a - Revision : 02-2005

2VGV45 300A P/N B39-A2

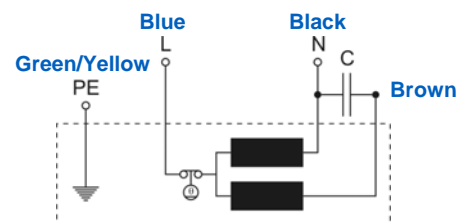
Substitute for X40-05

Voltage	Frequency	Input power	Current	Capacitor	Airflow	Speed rotation	Noise level	Rotation direction	Operating temperature
V	Hz	Wa	A	µF	m³/h	RPM	dBA	↻	Min / Max
230	50	180	0,79	6,0	2 610	2 700	73	L	-40°C / +70°C
230	60	253	1,11	6,0	2 855	3 000	76	L	-40°C / +70°C



- Ball bearing
- Class F, thermally protected
- IP44 protection
- G6.3 balancing
- Rotor and impeller : black paint
- Ring : black paint
- Stainless steel finger guard

Capacitor for 50Hz	Capacitor for 60Hz	Connecting box	Connector
19016-a	19016-a	39658	09145-0



Non contractual document. All specifications are subject to change without prior notice. Picture for information only.