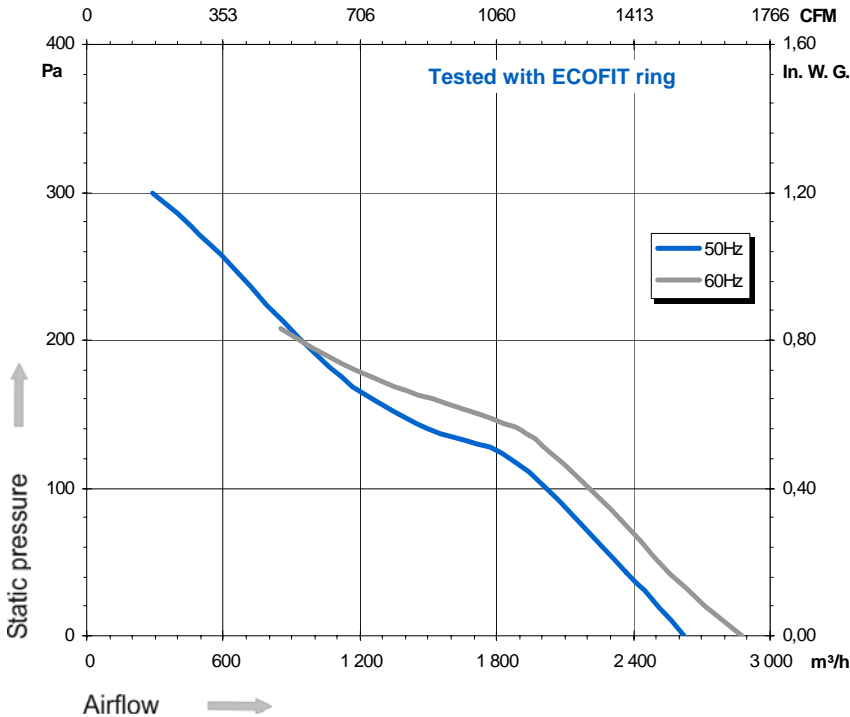
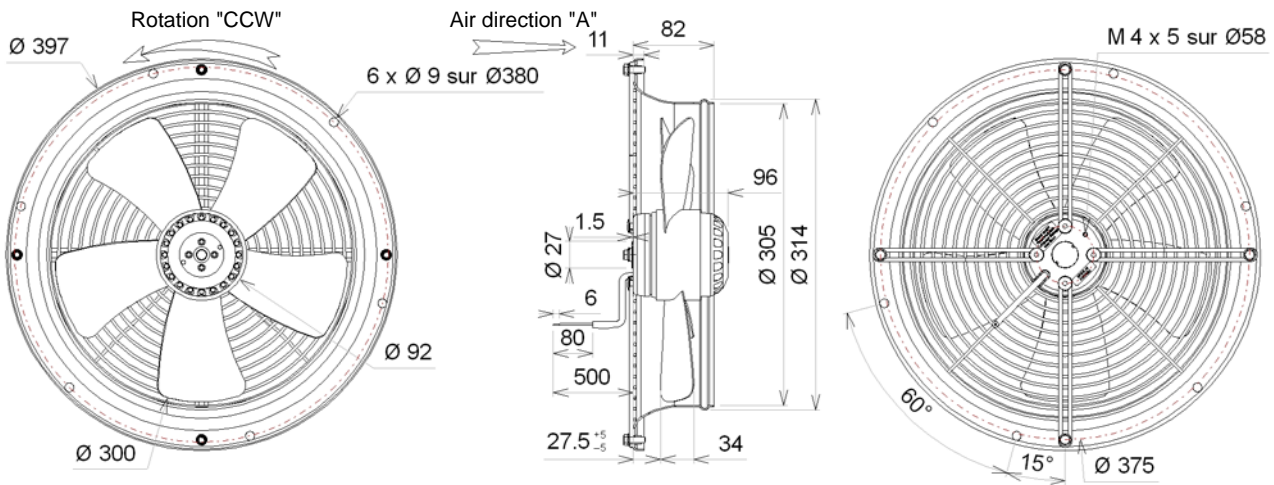


Ind. a - Revision : 08-2005

2VGV45 300A P/N B22-E8

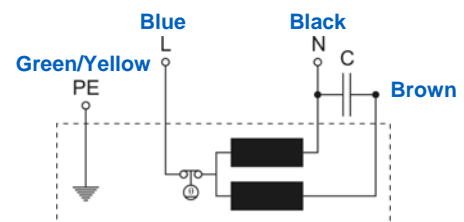


Voltage	Frequency	Input power	Current	Capacitor	Airflow	Speed rotation	Noise level	Rotation direction	Operating temperature
V	Hz	Wa	A	µF	m³/h	RPM	dBA	↻	Min / Max
230	50	181	0,79	6,0	2 625	2 650	73	L	-20°C / +70°C
230	60	261	1,14	6,0	2 880	2 940	76	L	-20°C / +70°C



- Ball bearing
- Class F, thermally protected
- IP44 protection
- G6.3 balancing
- Rotor and impeller : black paint
- Finger guard and ring : black paint

Capacitor for 50Hz	Capacitor for 60Hz	Connecting box	Connector
19016-a	19016-a	39658	09145-0



Non contractual document. All specifications are subject to change without prior notice. Picture for information only.