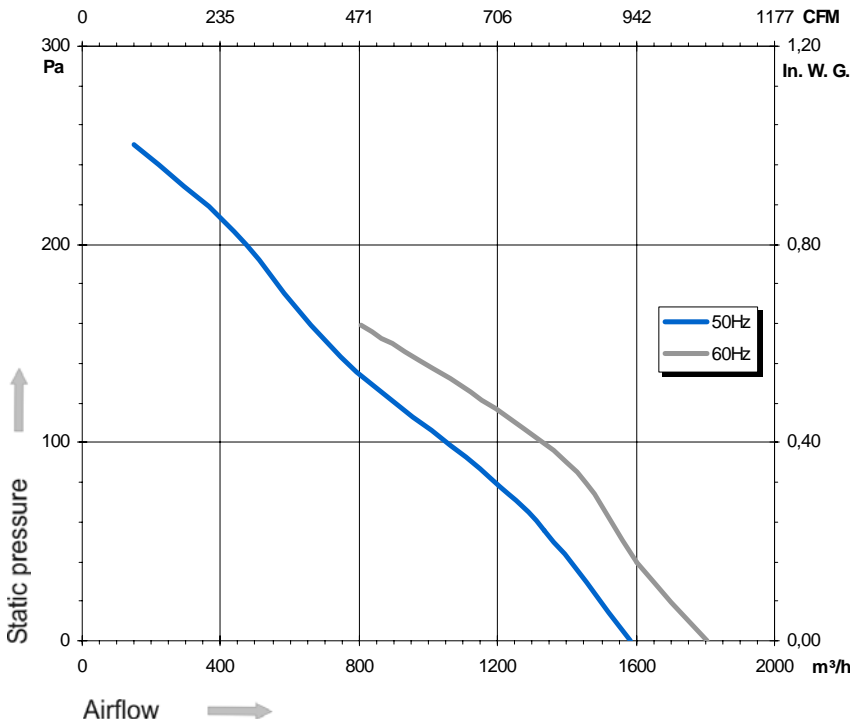
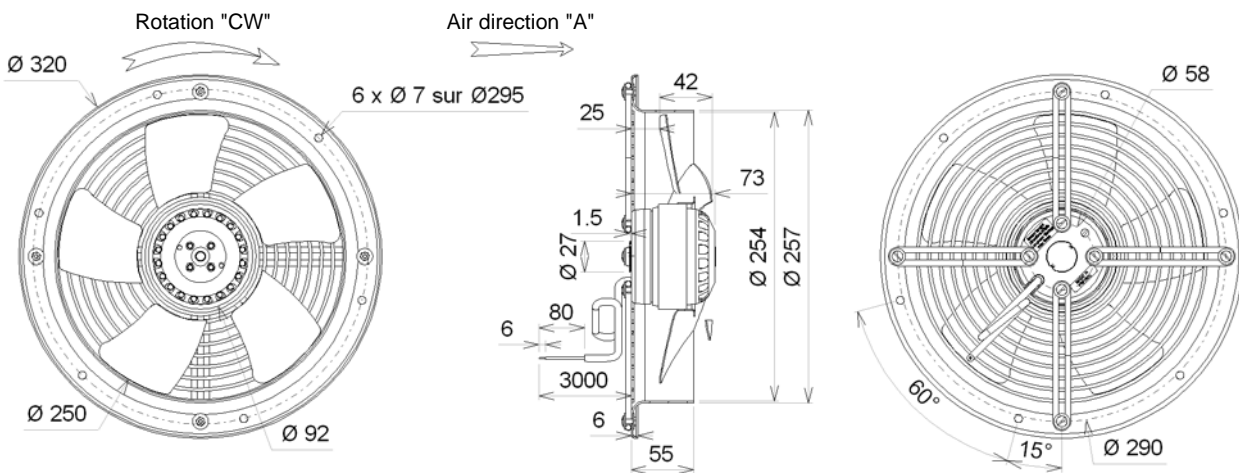


Ind. d - Revision : 10-2005

2VGV25 250A P/N Z16-01

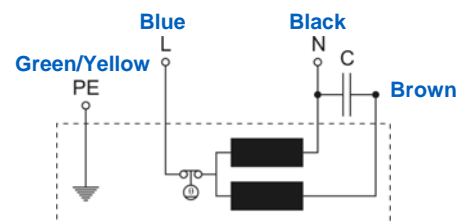


| Voltage | Frequency | Input power | Current | Capacitor | Airflow | Speed rotation | Noise level | Rotation direction | Operating temperature |
|---------|-----------|-------------|---------|-----------|---------|----------------|-------------|--------------------|-----------------------|
| V | Hz | Wa | A | µF | m³/h | RPM | dBA | ↻ | Min / Max |
| 230 | 50 | 106 | 0,47 | 4,0 | 1 585 | 2 750 | 67 | R | -40°C / +70°C |
| 230 | 60 | 147 | 0,65 | 4,0 | 1 805 | 3 115 | 70 | R | -40°C / +70°C |



- Ball bearing
- Class F, thermally protected
- IP44 protection
- G6.3 balancing
- Rotor and impeller : black paint
- Ring : black paint
- Stainless steel finger guard

| Capacitor for 50Hz | Capacitor for 60Hz | Connecting box | Connector |
|--------------------|--------------------|----------------|-----------|
| 19019-0 | 19019-0 | 39658 | 09145-0 |



Non contractual document. All specifications are subject to change without prior notice. Picture for information only.