

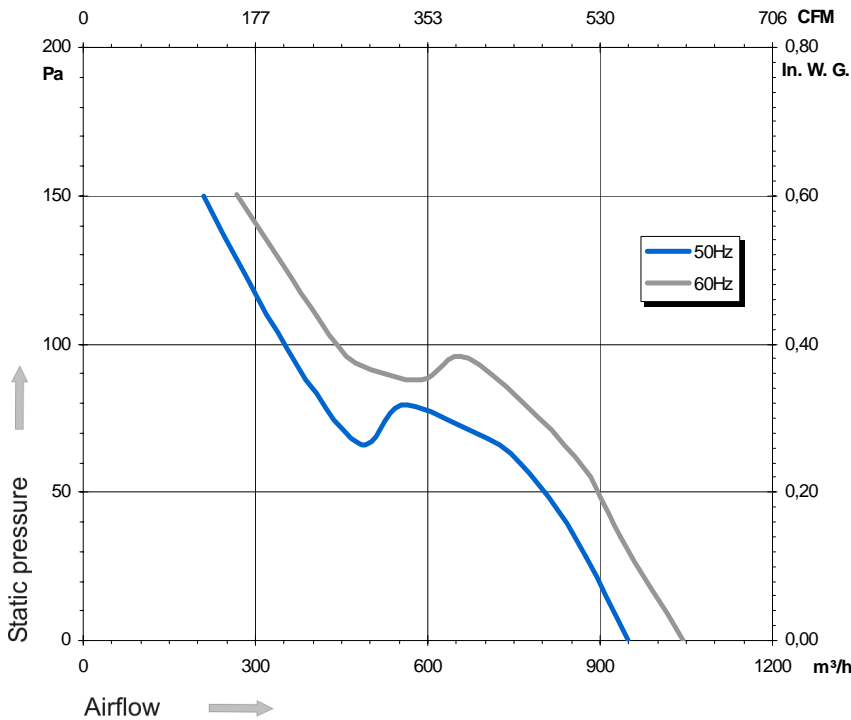
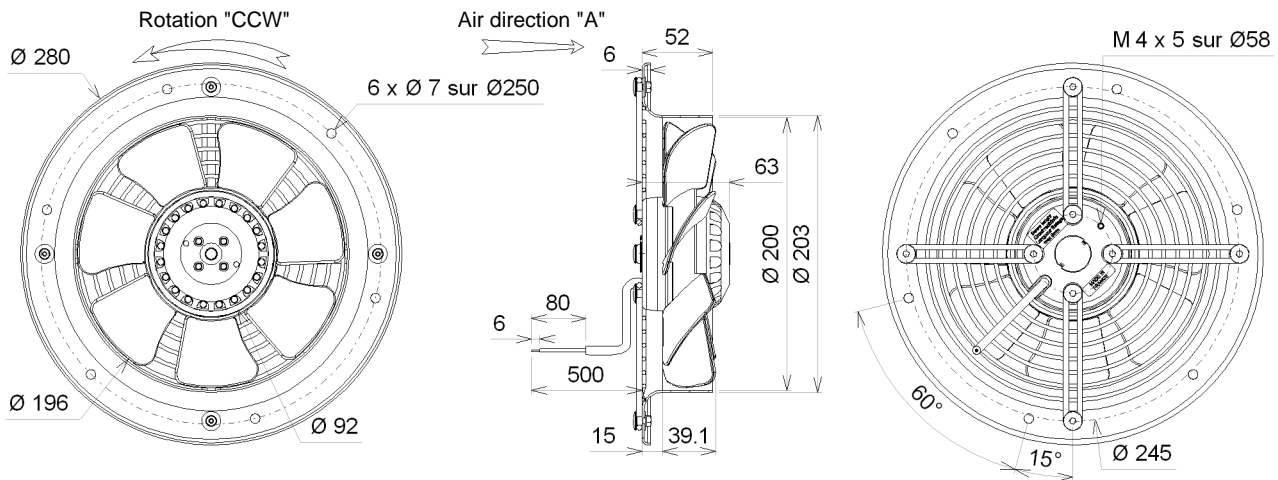
Ind. b - Revision : 12-2004

2VGV15 200A P/N B22-D2

Substitute for Z21-20

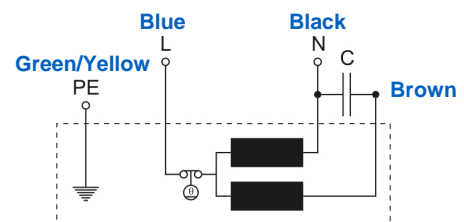


Voltage	Frequency	Input power	Current	Capacitor	Airflow	Speed rotation	Noise level	Rotation direction	Operating temperature
V	Hz	Wa	A	µF	m³/h	RPM	dBA	↻	Min / Max
230	50	70	0,31	2,0	950	2 485	63	L	-20°C / +70°C
230	60	85	0,37	2,0	1 045	2 710	66	L	-20°C / +70°C



- Ball bearing
- Class F, thermally protected
- IP44 protection
- G6.3 balancing
- Plastic impeller
- Rotor : black paint
- Finger guard and ring : black paint

Capacitor for 50Hz	Capacitor for 60Hz	Connecting box	Connector
19008-0	19008-0	39658	09145-0



Non contractual document. All specifications are subject to change without prior notice. Picture for information only.