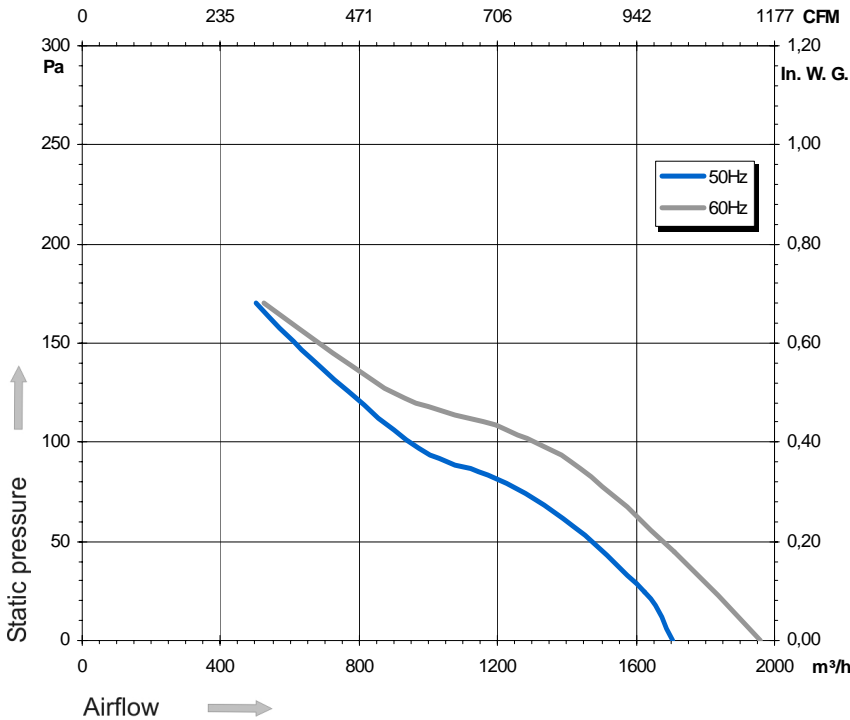
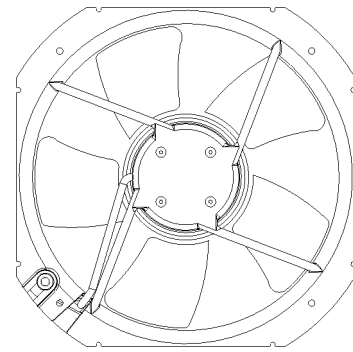
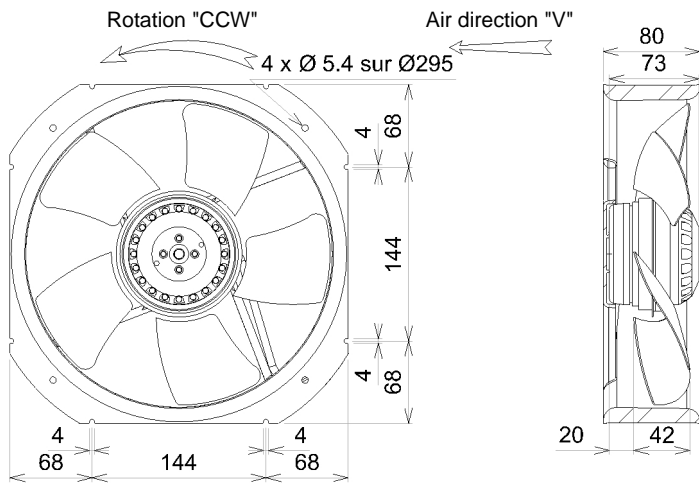


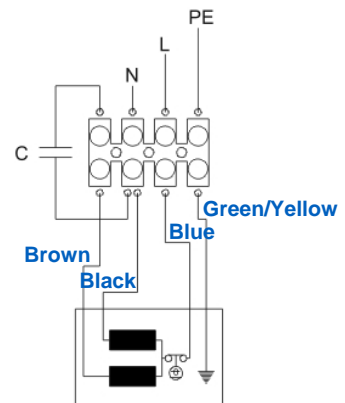
Ind. a - Revision : 09-2004

2VGCu25 250V P/N C46-A3

Voltage	Frequency	Input power	Current	Capacitor	Airflow	Speed rotation	Noise level	Rotation direction	Operating temperature
V	Hz	Wa	A	µF	m³/h	RPM	dB(A)	↻	Min / Max
230	50	114	0,50	4,0	1 705	2 735	67	L	-40°C / +70°C
230	60	158	0,72	4,0	1 960	3 110	70	L	-40°C / +70°C



- Ball bearing
- Class F, thermally protected
- IP44 protection
- G6.3 balancing
- Zinc coated impeller
- Rotor and impeller : black paint
- Aluminium ring
- Capacitor fixed on the ring and wired to a connexion block
- UL approved motor



Non contractual document. All specifications are subject to change without prior notice. Picture for information only.