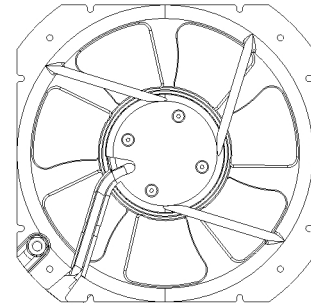
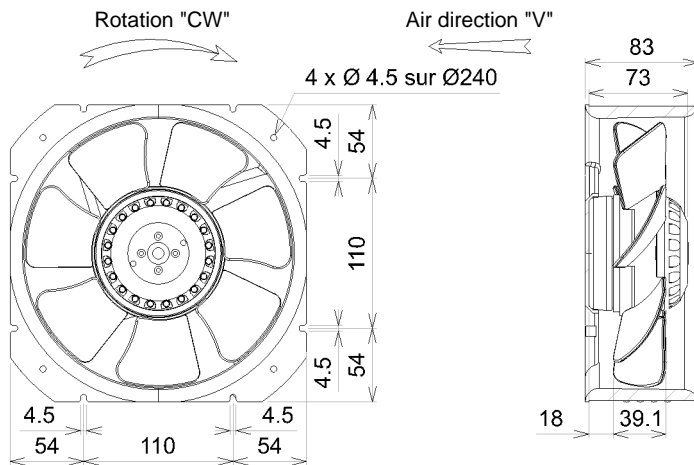


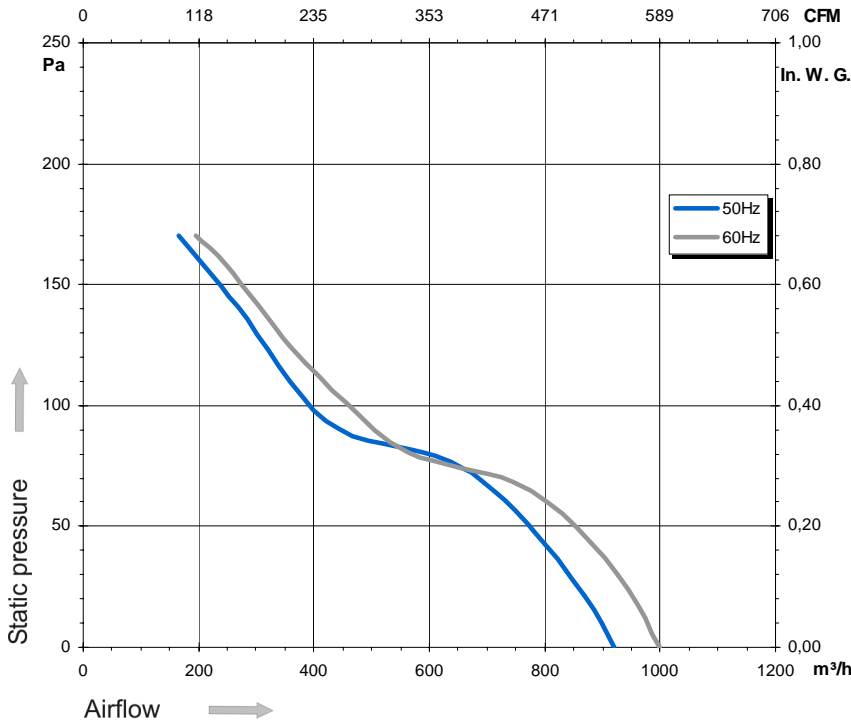
Ind. 0 - Revision : 09-2004

2VGCu25 200V P/N C49-A9

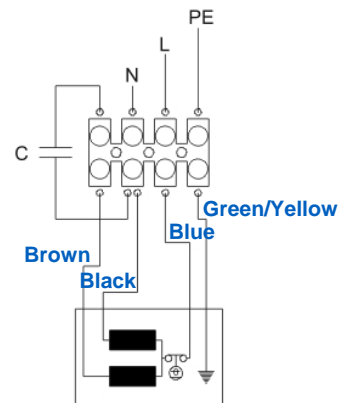
Voltage	Frequency	Input power	Current	Capacitor	Airflow	Speed rotation	Noise level	Rotation direction	Operating temperature
V	Hz	Wa	A	µF	m³/h	RPM	dBA	↻	Min / Max
230	50	68	0,30	2,0	920	2 645	65	R	-40°C / +70°C
230	60	97	0,43	2,0	1 000	2 875	67	R	-40°C / +70°C



Non contractual document. All specifications are subject to change without prior notice. Picture for information only.



- Ball bearing
- Class F, thermally protected
- IP44 protection
- G6.3 balancing
- Plastic impeller
- Rotor : black paint
- Aluminium ring
- Capacitor fixed on the ring and wired to a connexion block
- UL approved motor



Capacitor for 50Hz Capacitor for 60Hz Zinc Coated

21360-0