

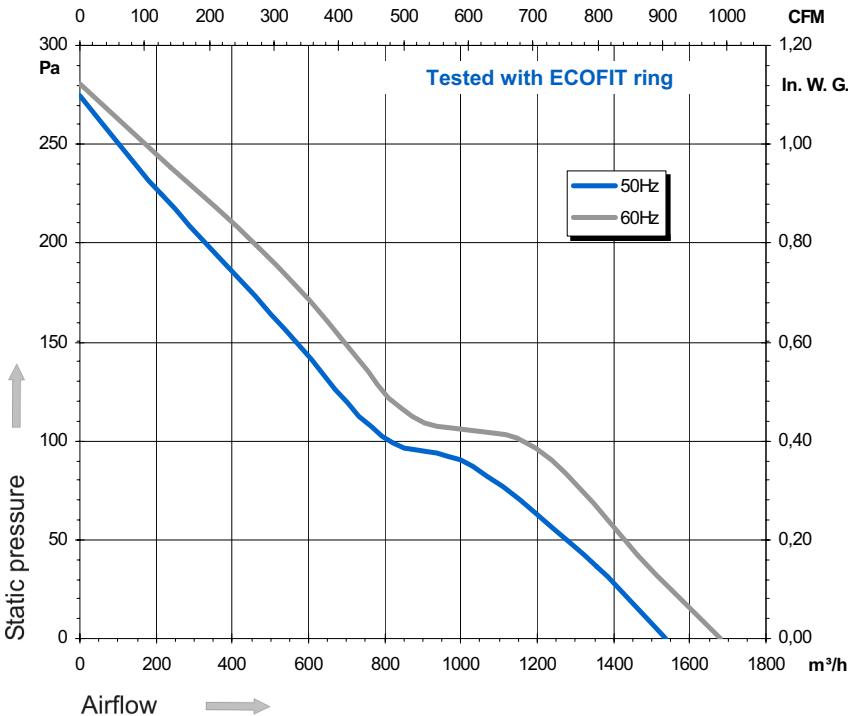
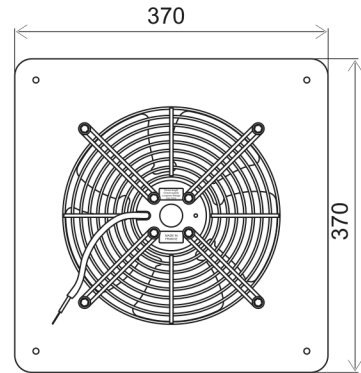
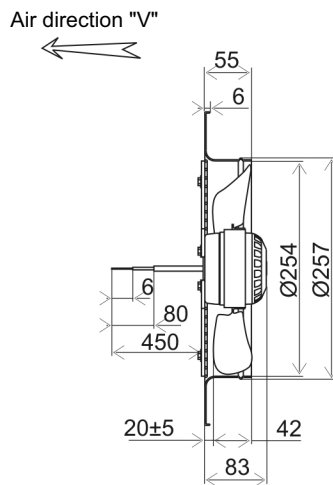
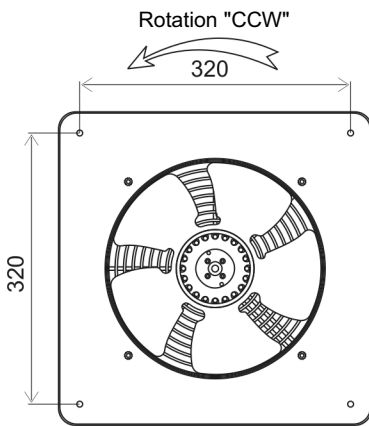
Ind. b - Revision : 10-2003

2VGct35 250V

P/N R12-53



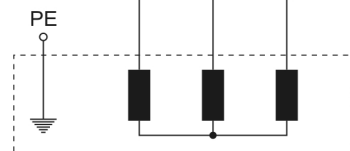
Voltage	Frequency	Input power	Current	Capacitor	Airflow	Speed rotation	Noise level	Rotation direction	Operating temperature
V	Hz	Wa	A	μF	m³/h	RPM	dBA	↻	Min / Max
400	50	93	0,18	-	1 535	2 665	67	L	-20°C / +50°C
400	60	123	0,20	-	1 680	2 960	69	L	-20°C / +50°C



- Ball bearing
- Class F winding
- IP44 protection
- G6.3 balancing
- Zinc coated impeller
- Rotor and impeller : black paint
- Finger guard and ring : black paint

Capacitor for 50Hz: -
 Capacitor for 60Hz: -
 Connecting box: 39658
 Connector: 09145-0

Green/Yellow Blue Black Brown



Non contractual document. All specifications are subject to change without prior notice. Picture for information only.