

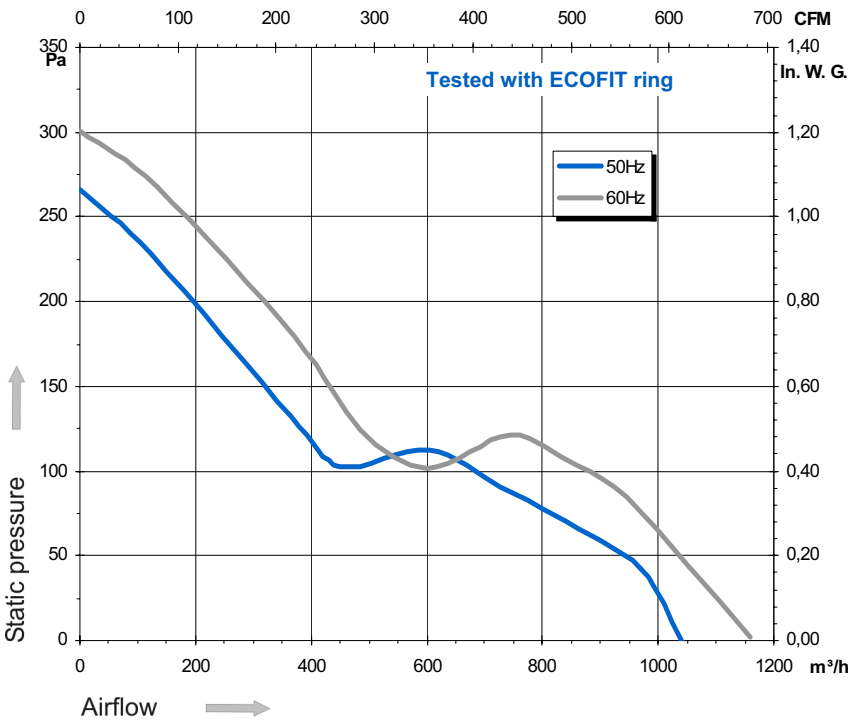
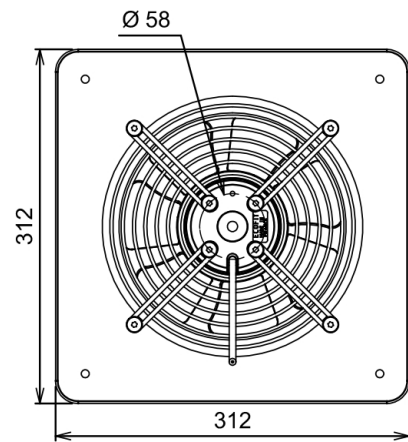
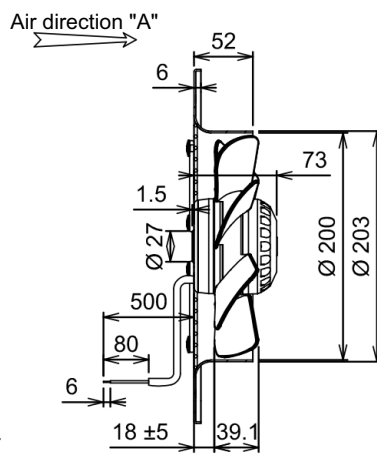
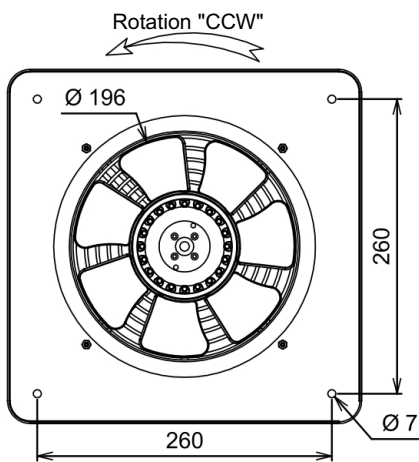
Ind. b - Revision : 10-2003

2VGct25 200A

P/N R12-50



Voltage	Frequency	Input power	Current	Capacitor	Airflow	Speed rotation	Noise level	Rotation direction	Operating temperature
V	Hz	Wa	A	µF	m³/h	RPM	dBA	↻	Min / Max
400	50	71	0,16	-	1 040	2 745	65	L	-20°C / +70°C
400	60	93	0,16	-	1 160	3 075	67	L	-20°C / +70°C

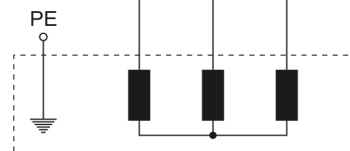


- Ball bearing
- Class F winding
- IP44 protection
- G6.3 balancing
- Plastic impeller
- Rotor : black paint
- Finger guard and ring : black paint

Capacitor for 50Hz Capacitor for 60Hz Connecting box Connector

- - 39658 09145-0

Green/Yellow Blue Black Brown



Non contractual document. All specifications are subject to change without prior notice. Picture for information only.