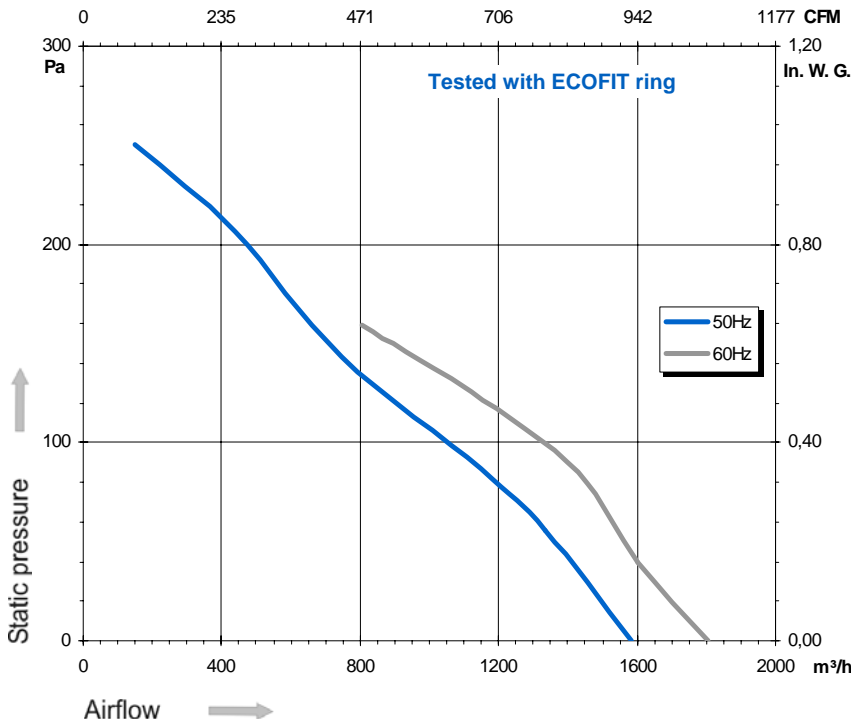
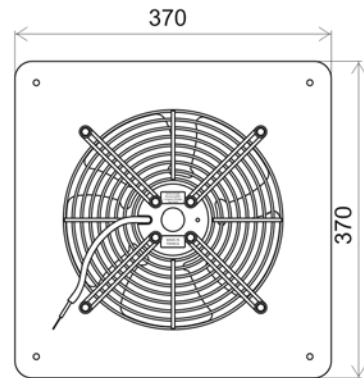
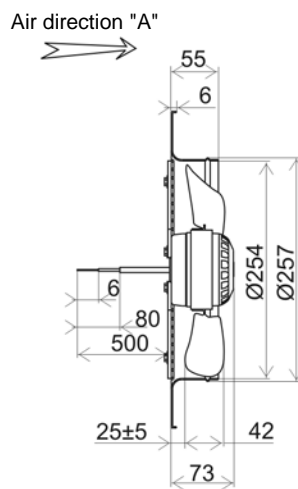
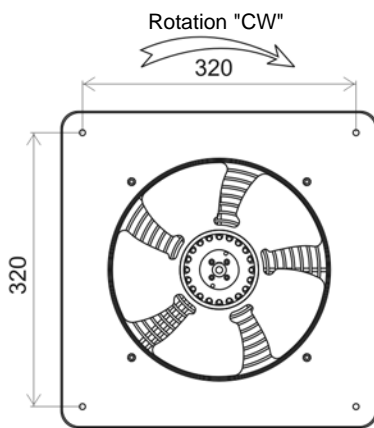


Ind. 0 - Revision : 10-2005

2VGC25 250A P/N B22-E1

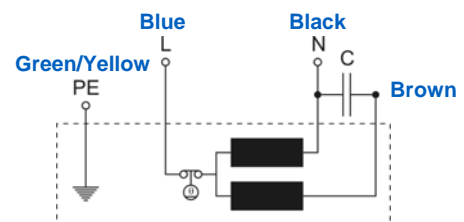
Substitute for Z21-26

Voltage	Frequency	Input power	Current	Capacitor	Airflow	Speed rotation	Noise level	Rotation direction	Operating temperature
V	Hz	Wa	A	µF	m³/h	RPM	dBA	↻	Min / Max
230	50	106	0,47	4,0	1 585	2 750	67	R	-20°C / +70°C
230	60	147	0,65	4,0	1 805	3 115	70	R	-20°C / +70°C



- Ball bearing
- Class F, thermally protected
- IP44 protection
- G6.3 balancing
- Zinc coated impeller
- Rotor and impeller : black paint
- Finger guard and ring : black paint

Capacitor for 50Hz	Capacitor for 60Hz	Connecting box	Connector
19019-0	19019-0	39658	09145-0



Non contractual document. All specifications are subject to change without prior notice. Picture for information only.