



UNI EN ISO 9001



EP A / B POTENTIOMETERS

Potentiometer EP series

Encoders with output signal of potentiometric type. The potentiometer is in a robust cover and is supported by two bearings; it assures excellent life, speed and precision properties.



Ordering codes

EP A 103 / 10 P R . XXX

EP = eltra potentiometer

A = mod. EP A with shaft \varnothing 10
B = mod. EP B with toothed shaft

Type of shaft

502 / 1 = 5 Kohm / 1 turn
502 / 3 = 5 Kohm / 3 turn
103 / 1 = 10 Kohm / 1 turn
103 / 3 = 10 Kohm / 3 turn
103 / 10 = 10 Kohm / 10 turn

Resistivity value per n° turns

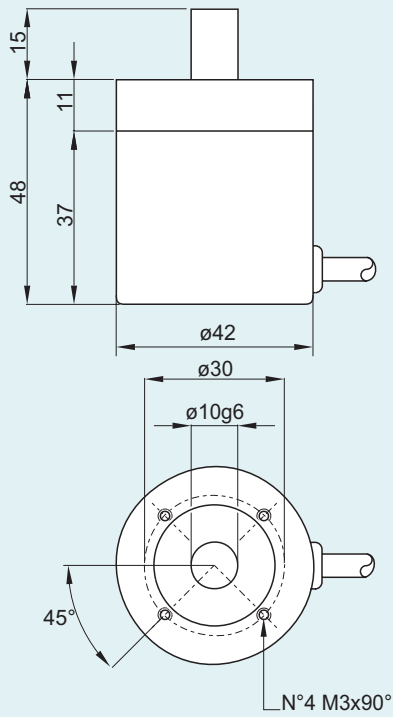
P = output cable (standard length 1.5m)

A = axial
R = radial

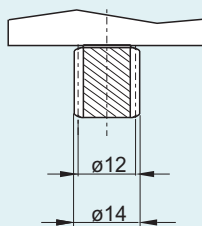
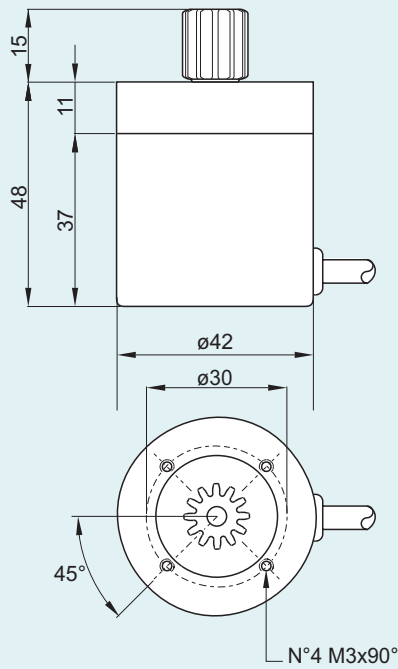
In the case of particular Customer variant - separate with a full stop

XXX = Particular Customer variants indicated by a progressive number from 001 to 999

EPA



EPB



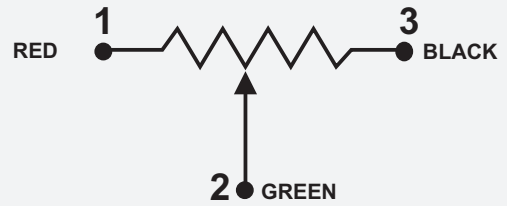
TOOTH CHARACTERISTICS

z=12
m=1
p=3.1415

General Characteristics

Type of potentiometers available	5 Kohm / 1 turn 5 Kohm / 3 turn 10 Kohm / 1 turn 10 Kohm / 3 turn 10 Kohm / 10 turn
Number of maximum revolutions	1.000.000
Shock	50G per 11msec
Vibrations	15G 10+2000Hz
Shaft Diameter (mm)	ø10 g6
Shaft material	Stainless steel AISI303
Toothed shaft characteristics	Z = 12 / m = 1 / p = 3.1415
Toothed shaft material	Steel C45
Cover material	Special plastic reinforced with glass fibre
Body material	Aluminium UNI 9002/5
Bearings	n°2 ball bearings
Weight	150g

Colours and connections



Environmental Characteristics

Protection	IP54 Standard
Operating Temperature	0° + +60° C
Storage temperature	-25° + +70° C

