

Main features

EM series encoders well suit several application fields like electric motors, marine industry, iron and steel industry, textile machines, wood-working, paper-working, glass-working, marble-working machinery and, more generally, automation and process control fields.

- Compact dimensions
- Absence of physical contact between encoder and motor shaft
- High temperature resistant
- High resolution and precision
- High enclosure rating
- High working speed
- Excellent mechanical robustness
- Very easy mounting



Ordering code

EMI 22 A 100 S 5 P 6 S 10 PR . XXX

full stop to separate special versions

magnetic incremental encoder **EMI**

size **22**

Type of flange

standard **A**

Resolution

p.p.r. **100 / 125 / 200 / 250 / 400 / 500**
256 / 515 / 1024 / 2048

please directly contact our offices for pulses availability

Zero pulse

without zero pulse **S**

with zero pulse **Z**

programmable zero pulse **E**

Power supply

5 VDC **5**

PR radial cable output (standard length 0.5m)

Max. rotation speed

10 10000 RPM

Enclosure rating

S IP68

Bore diameter (magnet-carrier)

6 ø 6 H7 mm

8 ø 8 H7 mm

9,5 ø 9.52 H7 mm

10 ø 10 H7 mm

Output type

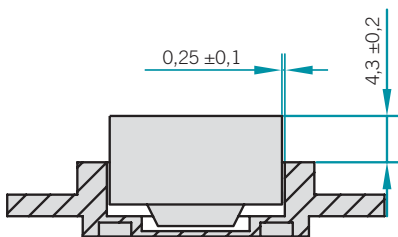
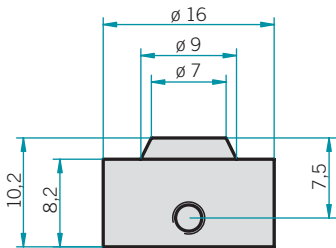
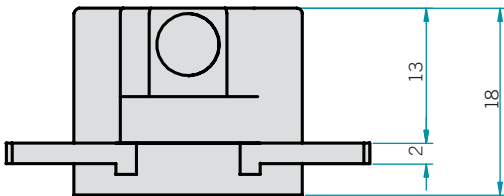
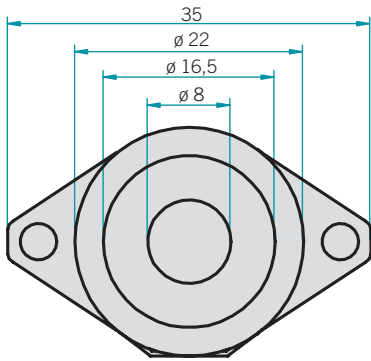
P push-pull

L line driver

please directly contact our offices for further measures

special version code numbered from 001 to 999

EMI 22



Electrical specifications

Resolution	incremental up to 2048 p.p.r.
Current consumption without load	100 mA max.
Max. load current	15 mA for channel
Power supply	5 VDC ±5%
Output types	line driver push-pull
Max. output frequency	200 kHz

Mechanical specifications

Bore diameter (magnet-carrier)	up to 10 mm
Enclosure rating	IP68
Max. rotation speed	10000 RPM
Shock	50 G, 11 ms
Vibration	10 G, 10÷2000 Hz
Body material	aluminium D11S UNI 9002/5
Housing material	aluminium D11S UNI 9002/5
Magnet-carrier material	aluminium D11S UNI 9002/5
Operating temperature	-25 ÷ 125 °C
Storage temperature	-30 ÷ 130 °C
Weight	30 g
Mounting tolerances	axial: ±0,2 mm radial: ±0,1 mm

Electrical connections

Cable colour	Function
red	+ VDC
black	0 V
green	A
yellow	B
blue	Z
brown	\bar{A}
orange	\bar{B}
white	\bar{Z}

