



EL120P INCREMENTAL ENCODER



Incremental encoder

Ø120 encoder series with through hollow shaft used on motors.

- Up to 60mm bore diameter
- Easy and safe fixing
- Rugged mechanics
- Up to 2.048 ppr with Zero
- Several output types available.
- Up to 28 Vdc input voltage.
- Up to 100 kHz frequency response
- Up to 3.000 rpm speed rotation
- Up to IP54 sealing



hollow shaft INCREMENTAL ENCODERS

Ordering code

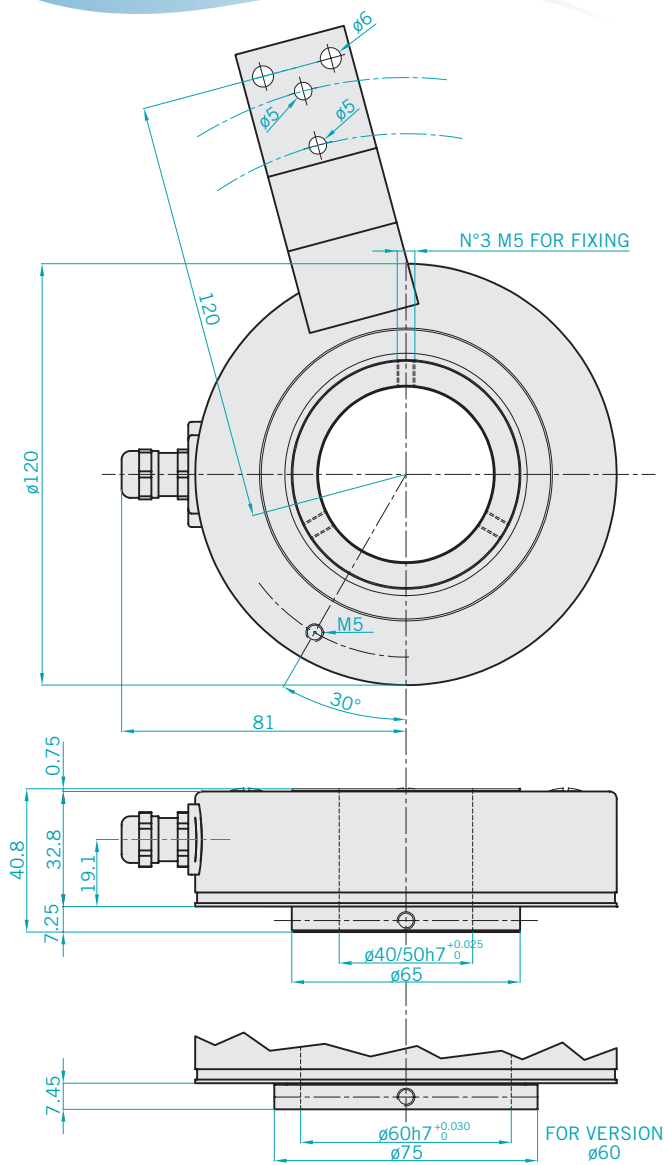
Full stop to separate special versions.

EL 120 P 500 Z 5 N 50 X 3 P R . XXX

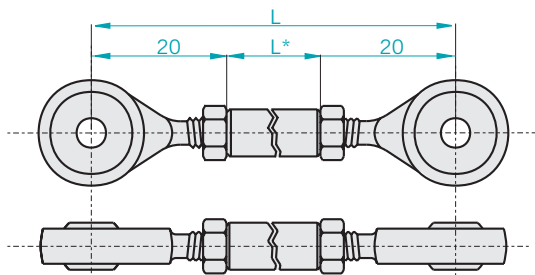
<p>Incremental encoder series EL</p> <p>Body dimension 120</p> <p>hollow shaft P</p> <p>Resolutions 1 - 2048 PPR <i>Please, directly contact our offices for pulses availability</i></p> <p>Zero pulse without zero pulse S with zero pulse Z</p> <p>Input voltage input voltage 5 ÷ 28 <i>LINE DRIVER available only with input voltage 5 Vdc or 8 ÷ 24 Vdc</i></p>	<p>R.P.M. 3 3000</p> <p>Enclosure rating X standard IP54</p> <p>Bore diameter 40 ø 40 mm 50 ø 50 mm 60 ø 60 mm</p> <p>Output types N NPN C NPN OPEN COLLECTOR P PUSH PULL L LINE DRIVER <i>For optionals about output types please refer to incremental outputs section</i></p>	<p>R radial</p> <p>P cable output (standard length 0,5 m)</p> <p>XXX Special version code numbered from 001 to 999</p>
---	--	---

EL120P

EL 120



Accessories



* See below for arm length

Available lengths

L* = 30 mm	Ordering code: SN5A30
L* = 60 mm	Ordering code: SN5A60
L* = 90 mm	Ordering code: SN5A90

Electrical specifications

Resolution	1 - 2048 PPR
Input voltage	5Vdc / 8 ÷ 24 Vdc
Input current with no output load	100 mA Max
Source and sink current	50 mA for channel 20 mA for channel with LINE DRIVER
Output types	LINE DRIVER / PUSH PULL
Frequency response	100 KHz Max $F = \frac{RPM \times Resolution}{60}$

Mechanical specifications

Bore diameter	$\phi 40 / 50 / 60$ mm H7
Enclosure rating	IP54 standard
Shaft speed	3000 RPM
Bearings	n° 2 ball bearings
Shaft material	Aluminium D11 S UNI9002/5
Housing material	Aluminium
Operating temperature	$0^\circ \div +60^\circ C$
Storage temperature	$-25^\circ \div +70^\circ C$
Weight	750 g

HOW TO MOUNT IT

- 1) Couple the encoder shaft with the motor shaft
- 2) Fix the spa to the motor flange without screwing it
- 3) Fix the encoder shaft by the metal gear.
- 4) Block the spring

